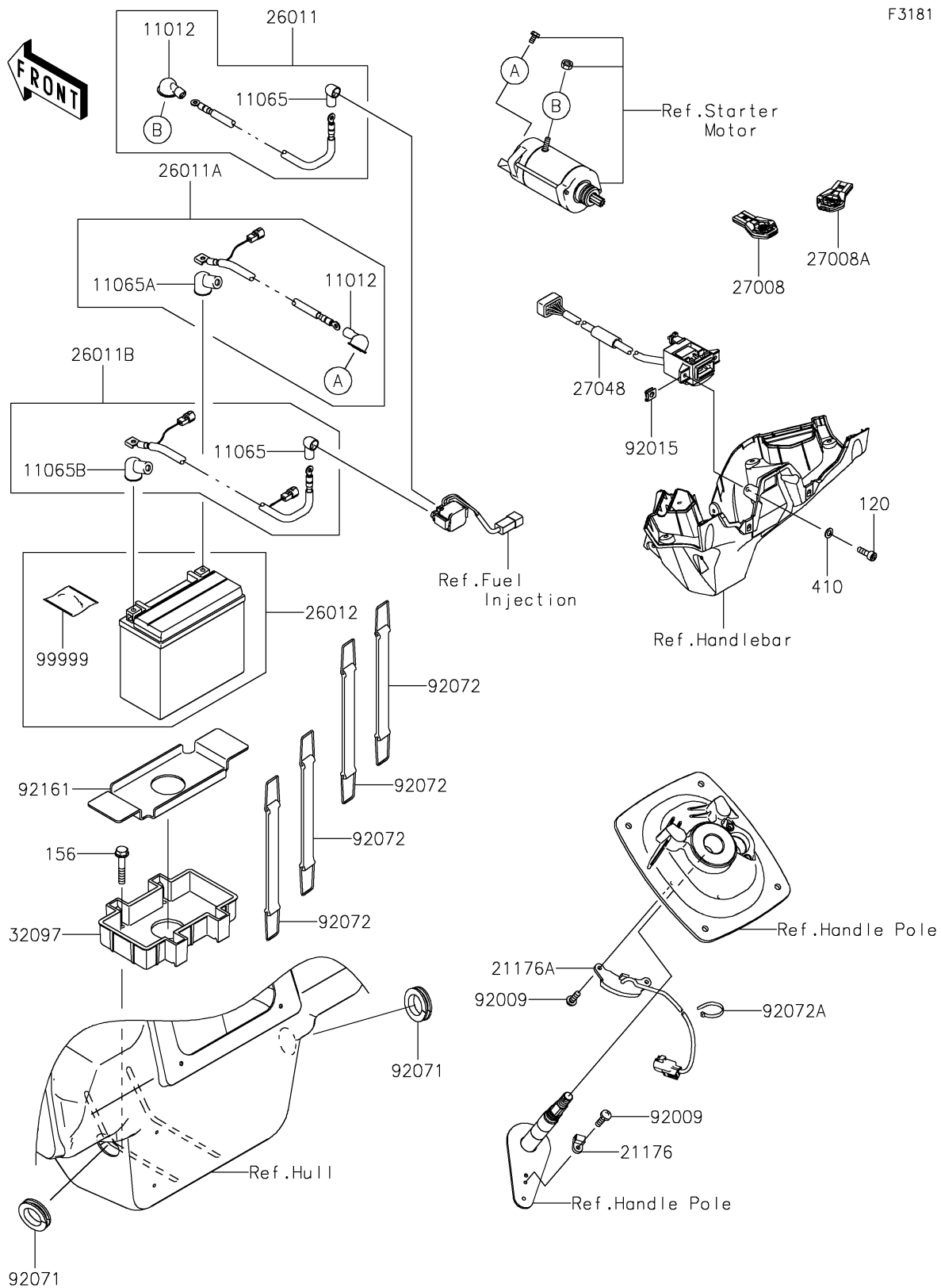


2024 JET SKI® ULTRA® 310LX

PARTS DIAGRAM Electrical Equipment



2024 JET SKI® ULTRA® 310LX

PARTS LIST

Electrical Equipment



ITEM NAME	PART NUMBER	QUANTITY
-----------	-------------	----------
