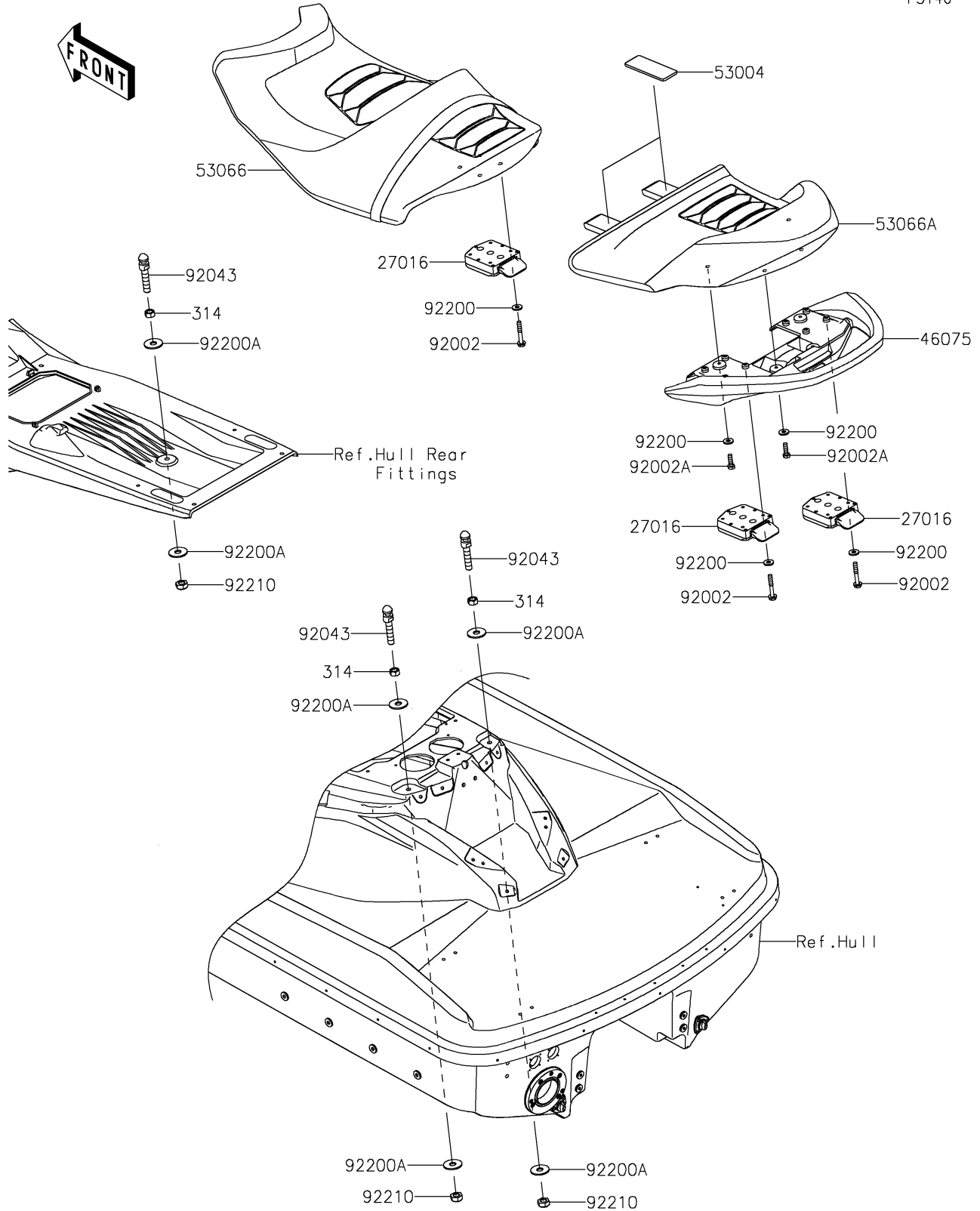


2024 JET SKI® ULTRA® 310LX

PARTS DIAGRAM

Seat

F3146



2024 JET SKI® ULTRA® 310LX

PARTS LIST

Seat



ITEM NAME	PART NUMBER	QUANTITY
-----------	-------------	----------
