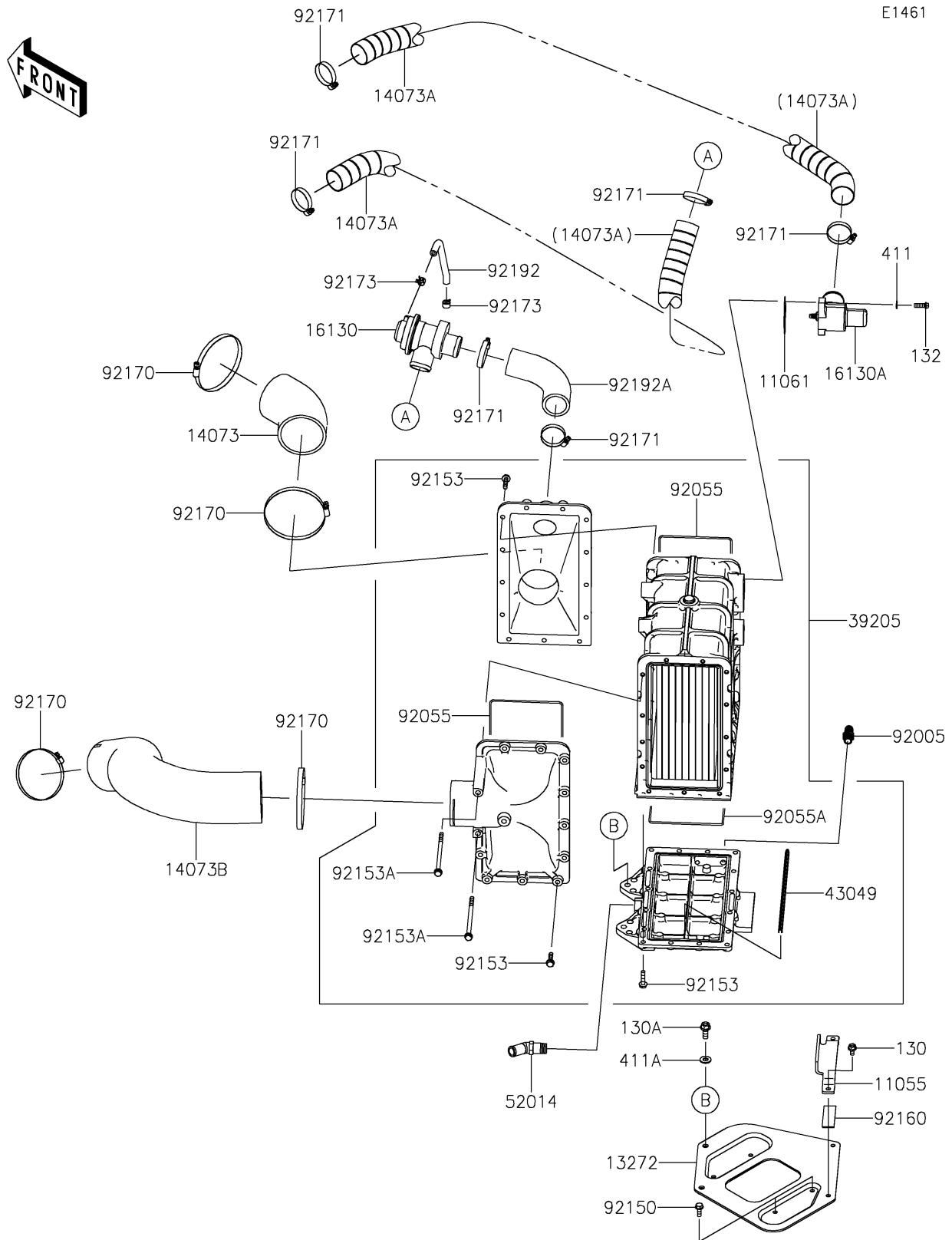


# 2024 JET SKI® ULTRA® 310LX

## PARTS DIAGRAM

### Inter Cooler



# 2024 JET SKI® ULTRA® 310LX

## PARTS LIST

Inter Cooler



**ITEM NAME**

**PART NUMBER**

**QUANTITY**

---