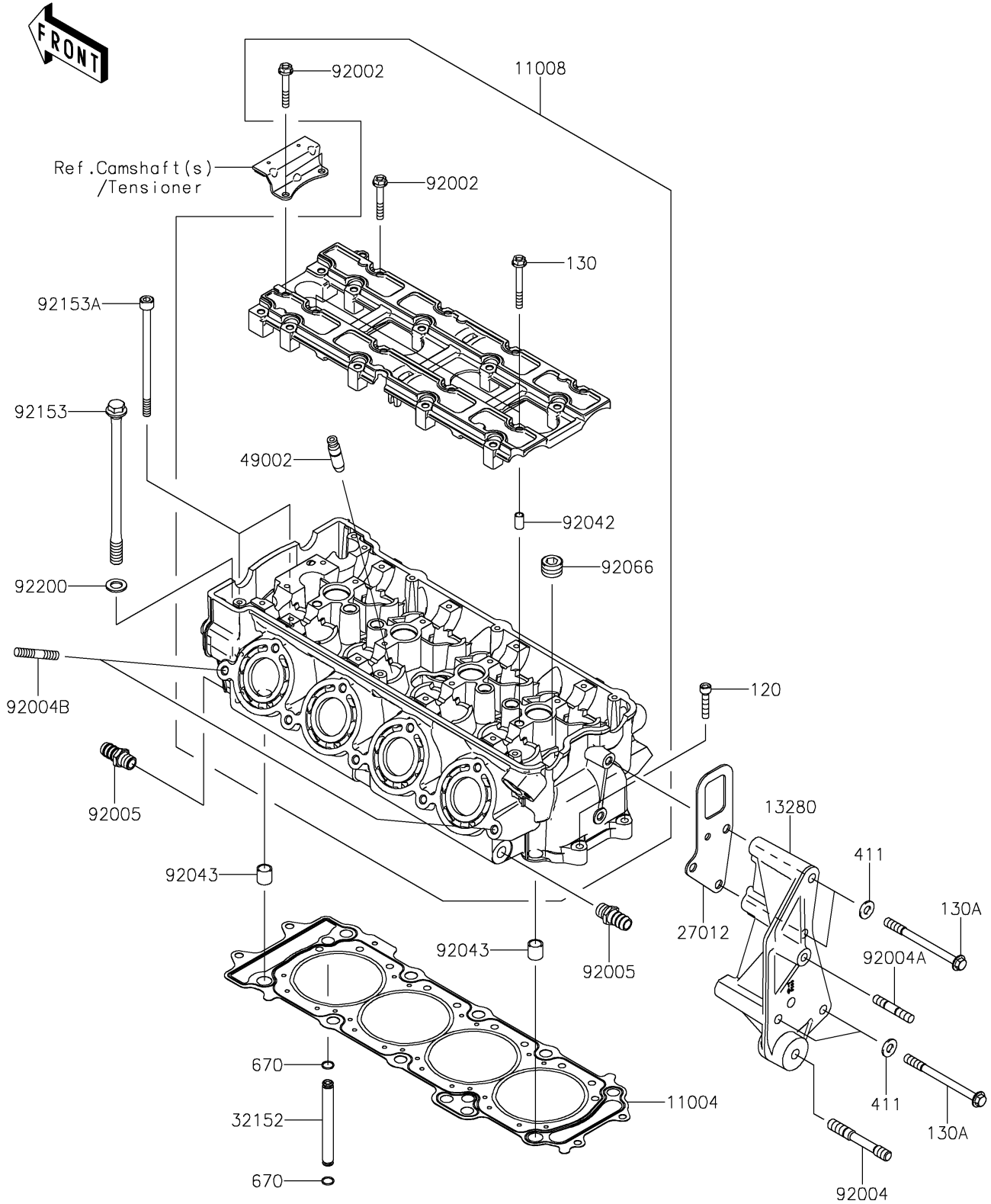


# 2024 JET SKI® ULTRA® 310LX

## PARTS DIAGRAM

### Cylinder Head

E1111



# 2024 JET SKI® ULTRA® 310LX

## PARTS LIST

### Cylinder Head



**ITEM NAME**

**PART NUMBER**

**QUANTITY**

---