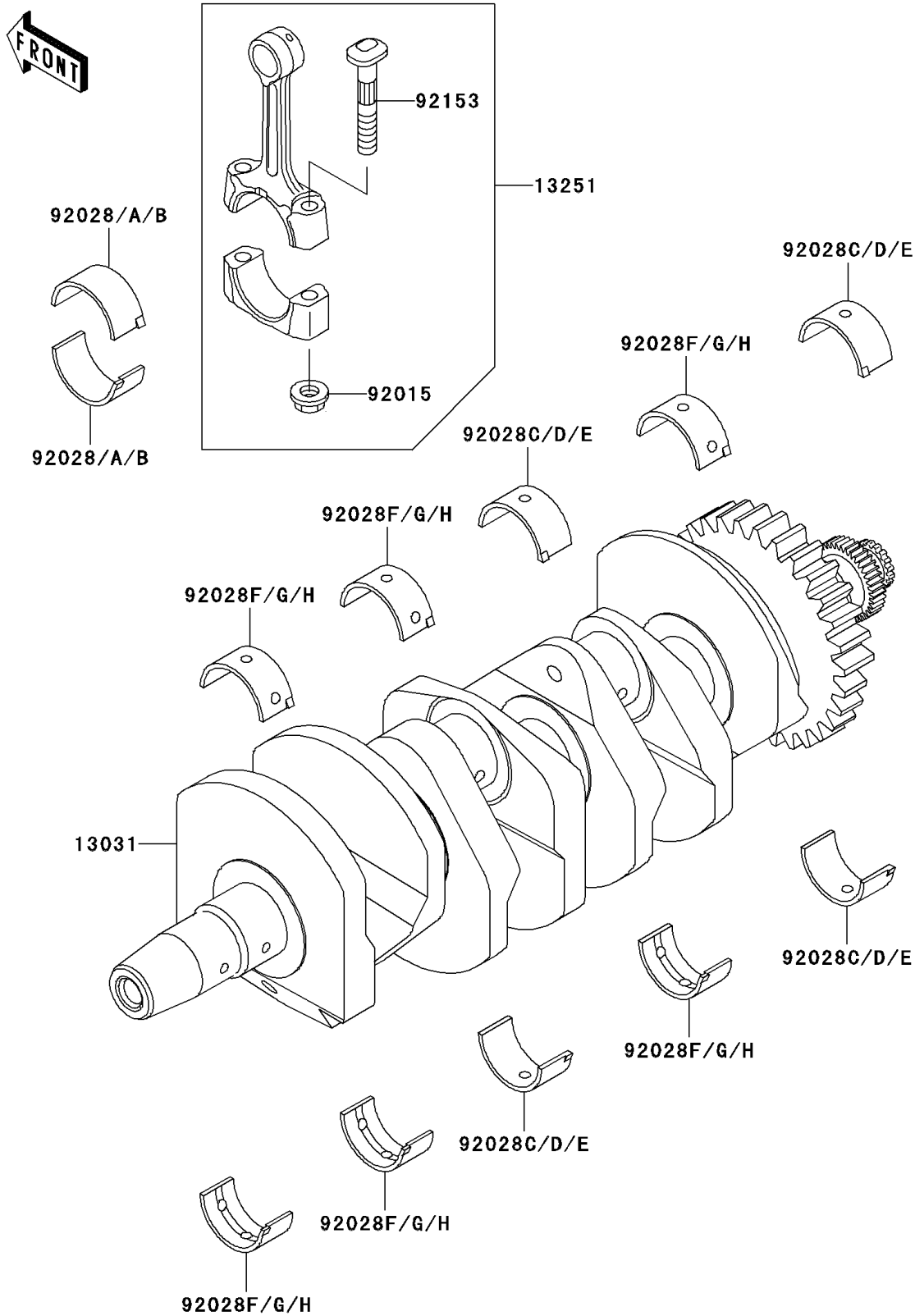


# 2003 Ninja<sup>®</sup> ZX<sup>™</sup>-6R

## PARTS DIAGRAM

### Crankshaft

E1321



# 2003 Ninja® ZX™-6R

## PARTS LIST

### Crankshaft

ITEM NAME	PART NUMBER	QUANTITY
CRANKSHAFT-COMP (Ref # 13031)	13031-1503	1
ROD-ASSY-CONNECTING, KK (Ref # 13251)	13251-1146-KK	4
NUT, CONNECTING ROD, 7MM (Ref # 92015)	92015-1527	8
BUSHING, CONNECTING ROD, BLACK (Ref # 92028)	92028-1878	AR
BUSHING, CONNECTING ROD, BROWN (Ref # 92028A)	92028-1879	8
BUSHING, CONNECTING ROD, PINK (Ref # 92028B)	92028-1880	AR
BUSHING, CRANKSHAFT, BLUE (Ref # 92028C)	92028-1881	4
BUSHING, CRANKSHAFT, BLACK (Ref # 92028D)	92028-1882	AR
BUSHING, CRANKSHAFT, BROWN (Ref # 92028E)	92028-1883	AR
BUSHING, CRANKSHAFT, BLUE (Ref # 92028F)	92028-1884	6
BUSHING, CRANKSHAFT, BLACK (Ref # 92028G)	92028-1885	AR
BUSHING, CRANKSHAFT, BROWN (Ref # 92028H)	92028-1886	AR
BOLT, 7MM (Ref # 92153)	92153-1172	8