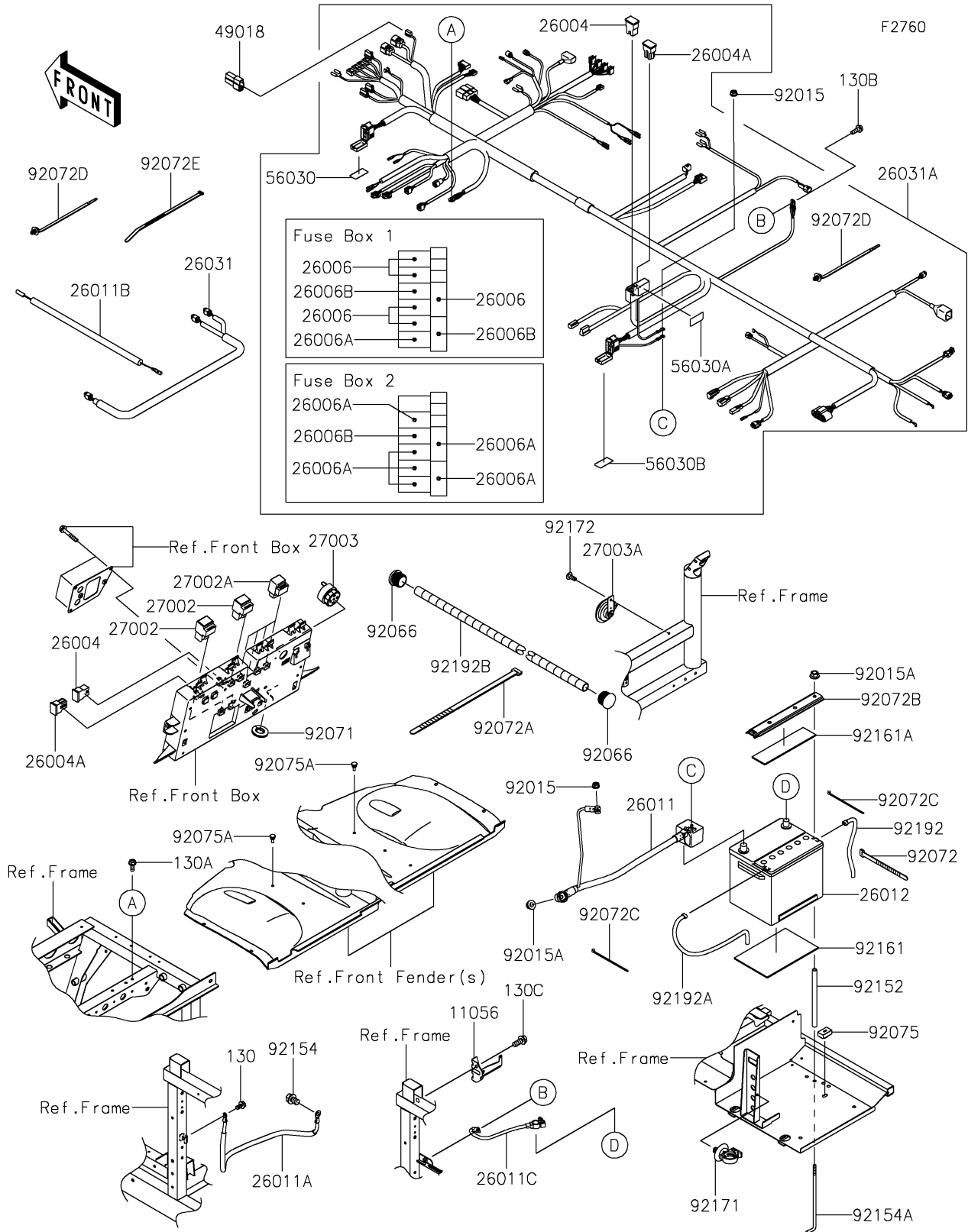


# 2022 MULE PRO-DXT™ EPS DIESEL FE

## PARTS DIAGRAM

### Chassis Electrical Equipment



# 2022 MULE PRO-DXT™ EPS DIESEL FE



## PARTS LIST

### Chassis Electrical Equipment

ITEM NAME	PART NUMBER	QUANTITY
-----------	-------------	----------

---