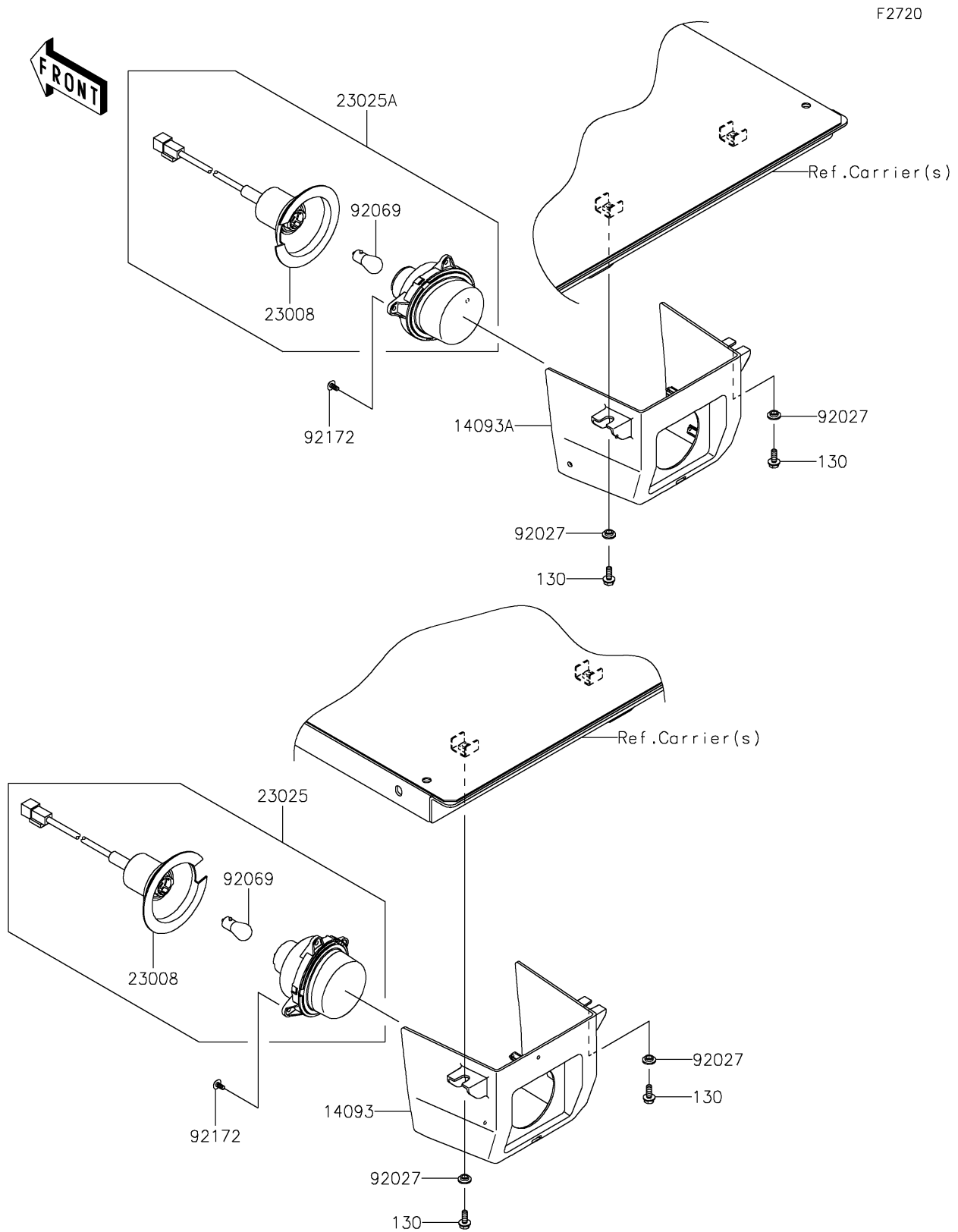


# 2024 MULE PRO-DXT™ FE DIESEL EPS

## PARTS DIAGRAM

### Taillight(s)



# 2024 MULE PRO-DXT™ FE DIESEL EPS



## PARTS LIST

Taillight(s)

**ITEM NAME**

**PART NUMBER**

**QUANTITY**

---