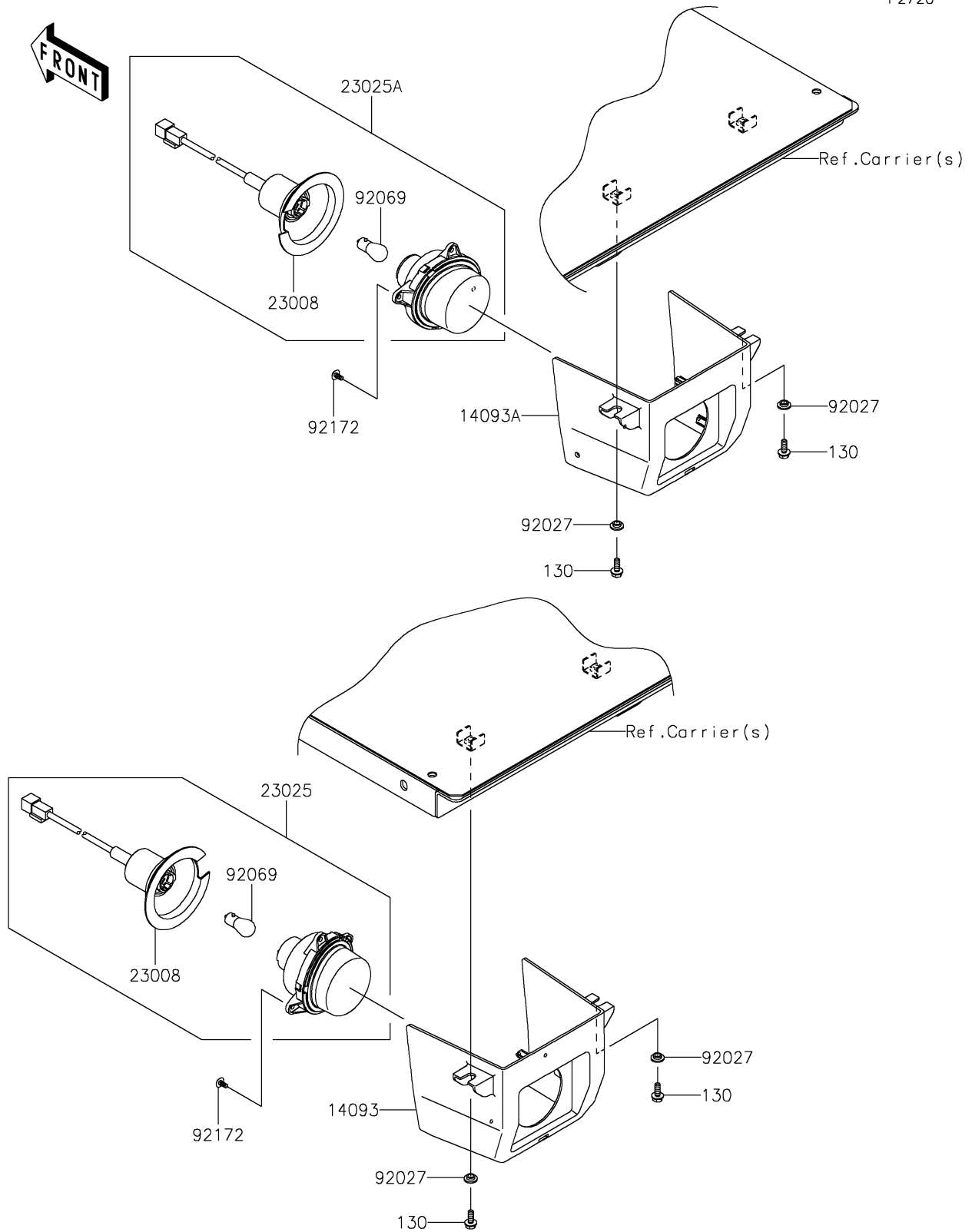


# 2022 MULE PRO-DXT™ EPS DIESEL FE

## PARTS DIAGRAM

### Taillight(s)

F2720



# 2022 MULE PRO-DXT™ EPS DIESEL FE



## PARTS LIST

Taillight(s)

ITEM NAME	PART NUMBER	QUANTITY
-----------	-------------	----------

---