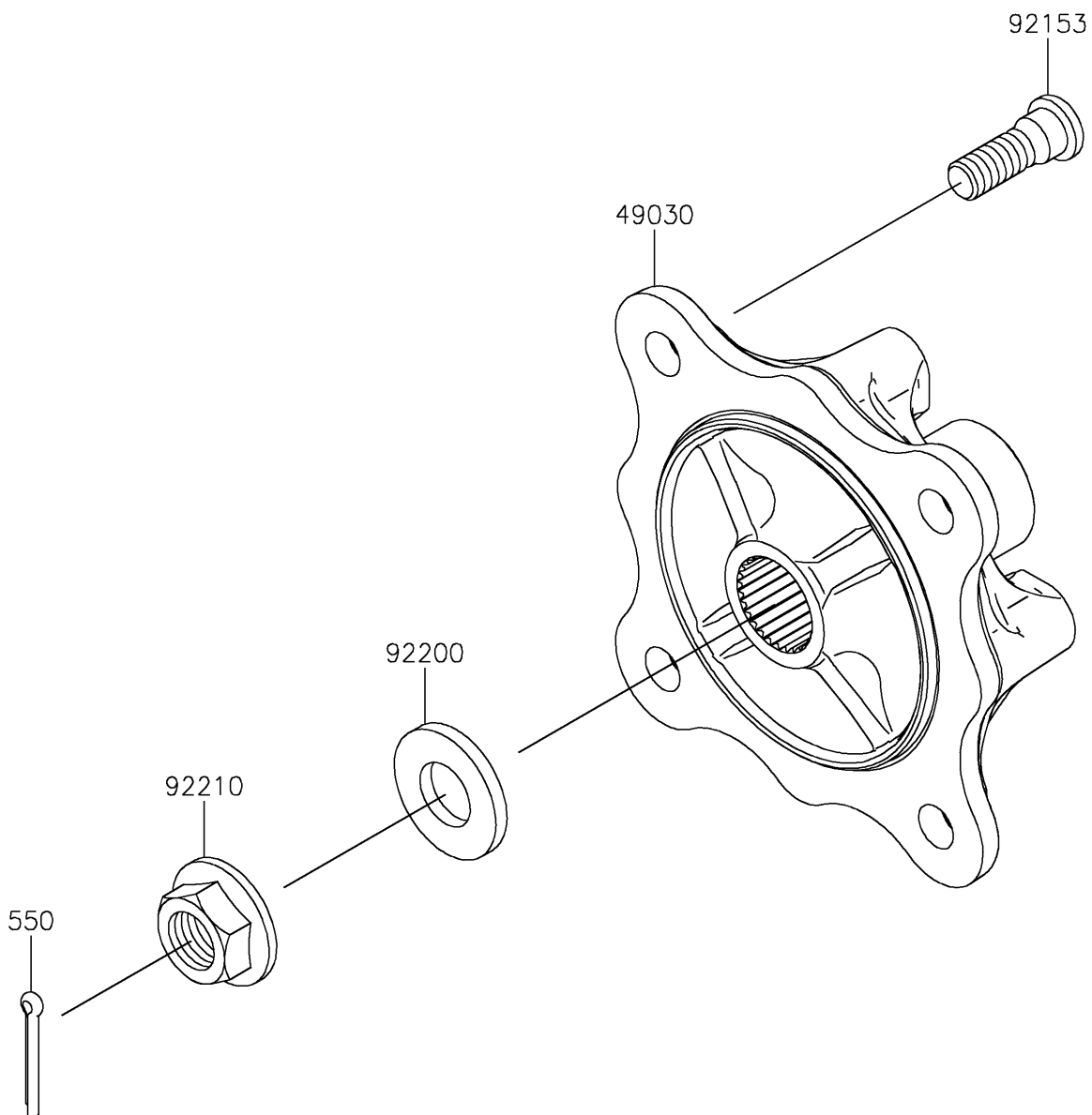


# 2024 MULE PRO-DXT™ FE DIESEL EPS

## PARTS DIAGRAM

### Rear Hubs/Brakes

F2240



# 2024 MULE PRO-DXT™ FE DIESEL EPS



## PARTS LIST

### Rear Hubs/Brakes

ITEM NAME	PART NUMBER	QUANTITY
-----------	-------------	----------

---