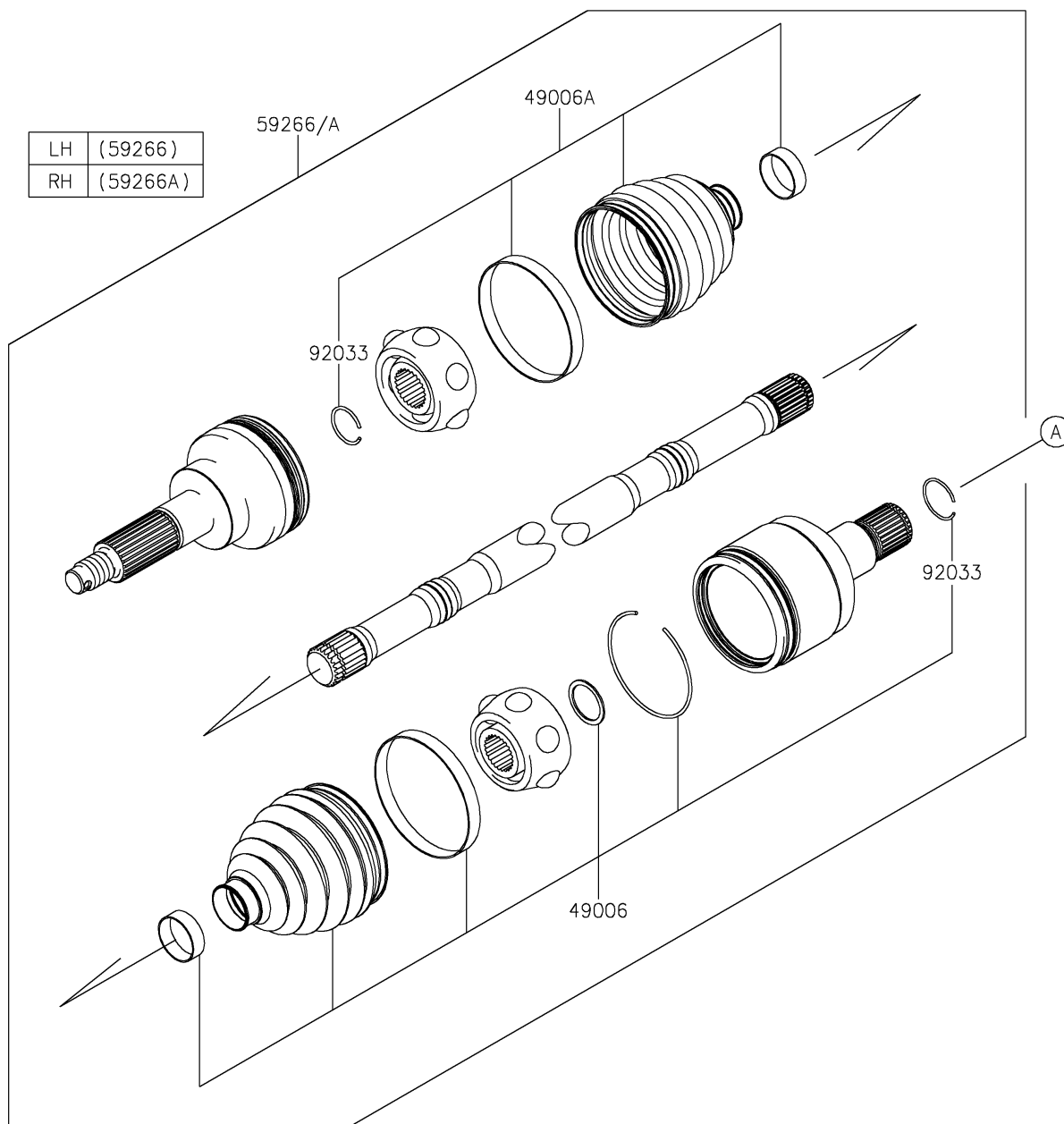
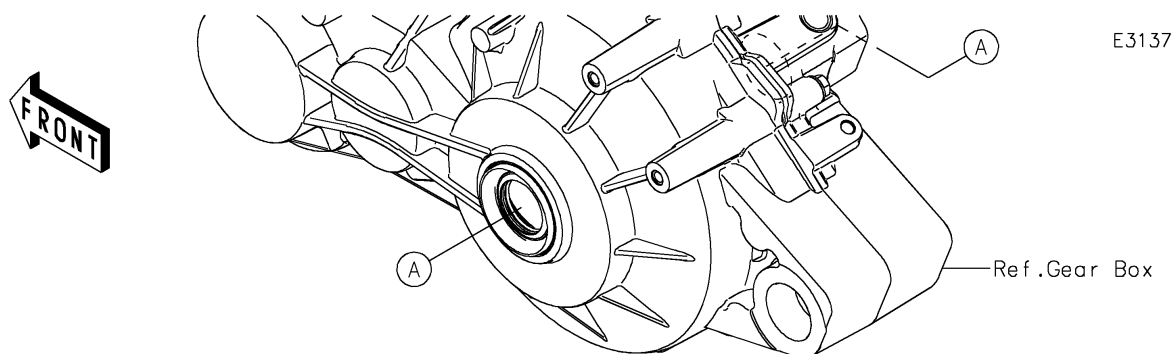


# 2024 MULE PRO-DXT™ FE DIESEL EPS

## PARTS DIAGRAM

### Drive Shaft-Rear



# 2024 MULE PRO-DXT™ FE DIESEL EPS



## PARTS LIST

### Drive Shaft-Rear

ITEM NAME	PART NUMBER	QUANTITY
-----------	-------------	----------

---