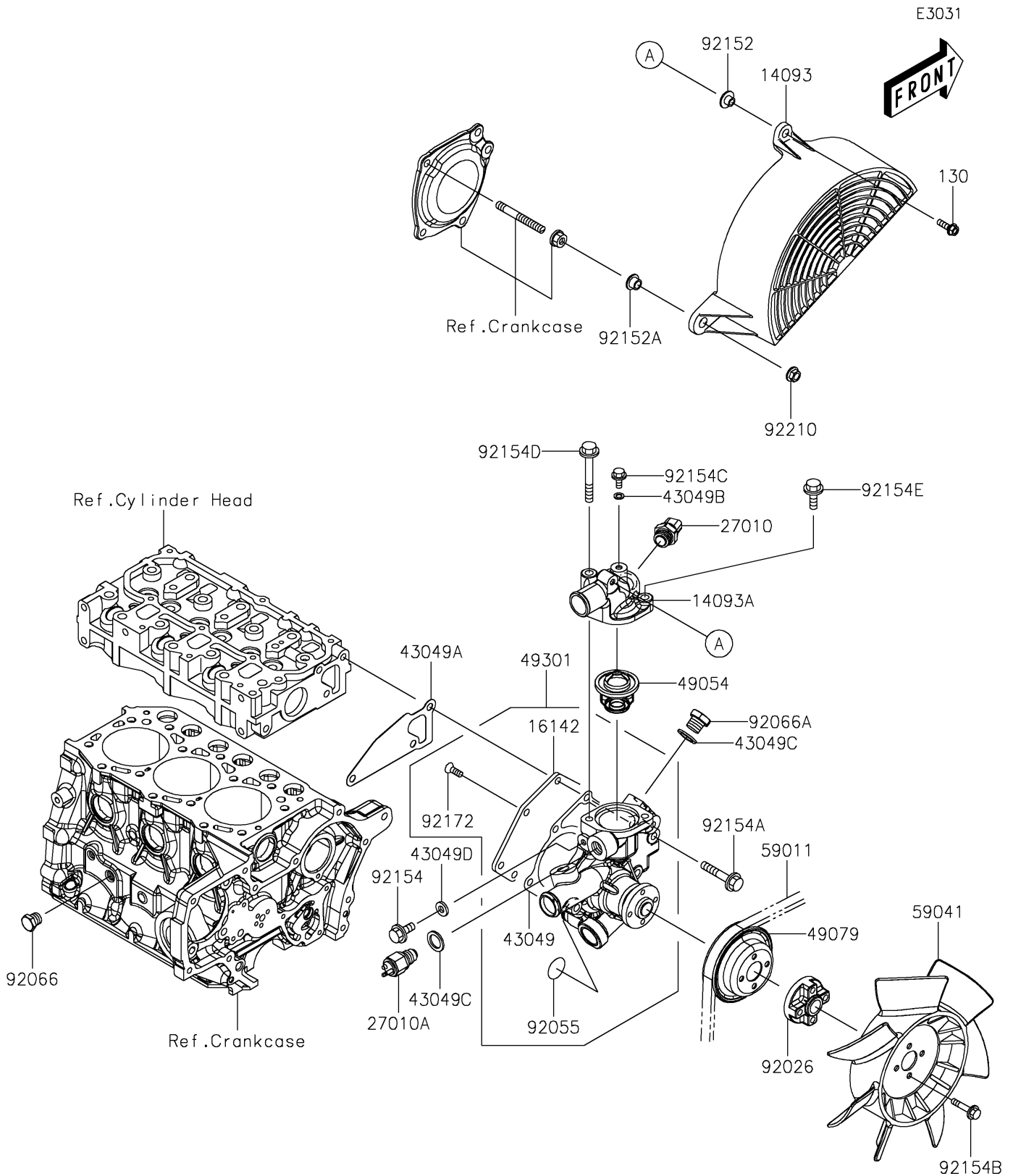


2024 MULE PRO-DXT™ FE DIESEL EPS

PARTS DIAGRAM

Water Pump



2024 MULE PRO-DXT™ FE DIESEL EPS



PARTS LIST

Water Pump

ITEM NAME	PART NUMBER	QUANTITY
-----------	-------------	----------
