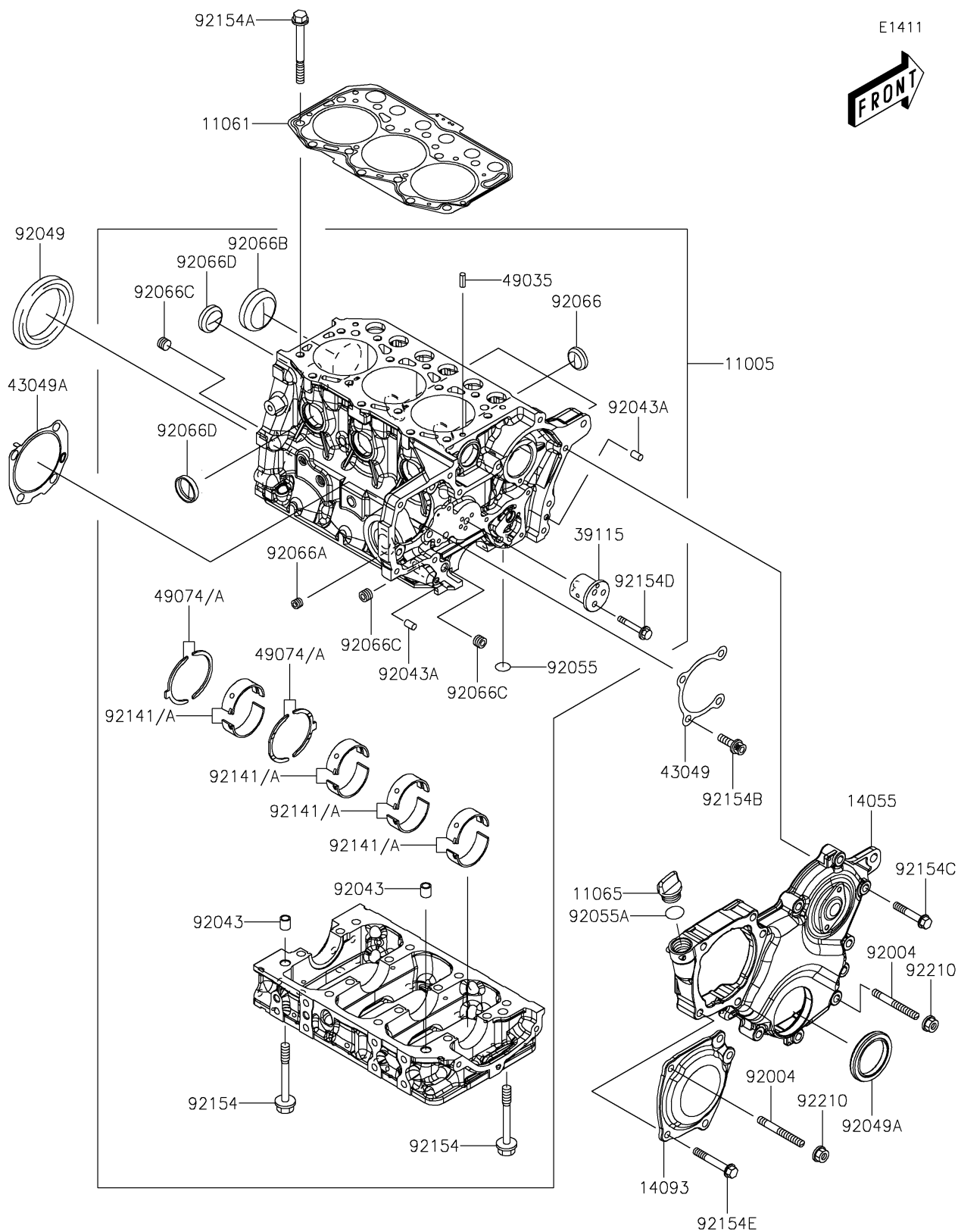


2024 MULE PRO-DXT™ FE DIESEL EPS

PARTS DIAGRAM

Crankcase



2024 MULE PRO-DXT™ FE DIESEL EPS



PARTS LIST

Crankcase

| ITEM NAME | PART NUMBER | QUANTITY |
|-----------|-------------|----------|
|-----------|-------------|----------|
