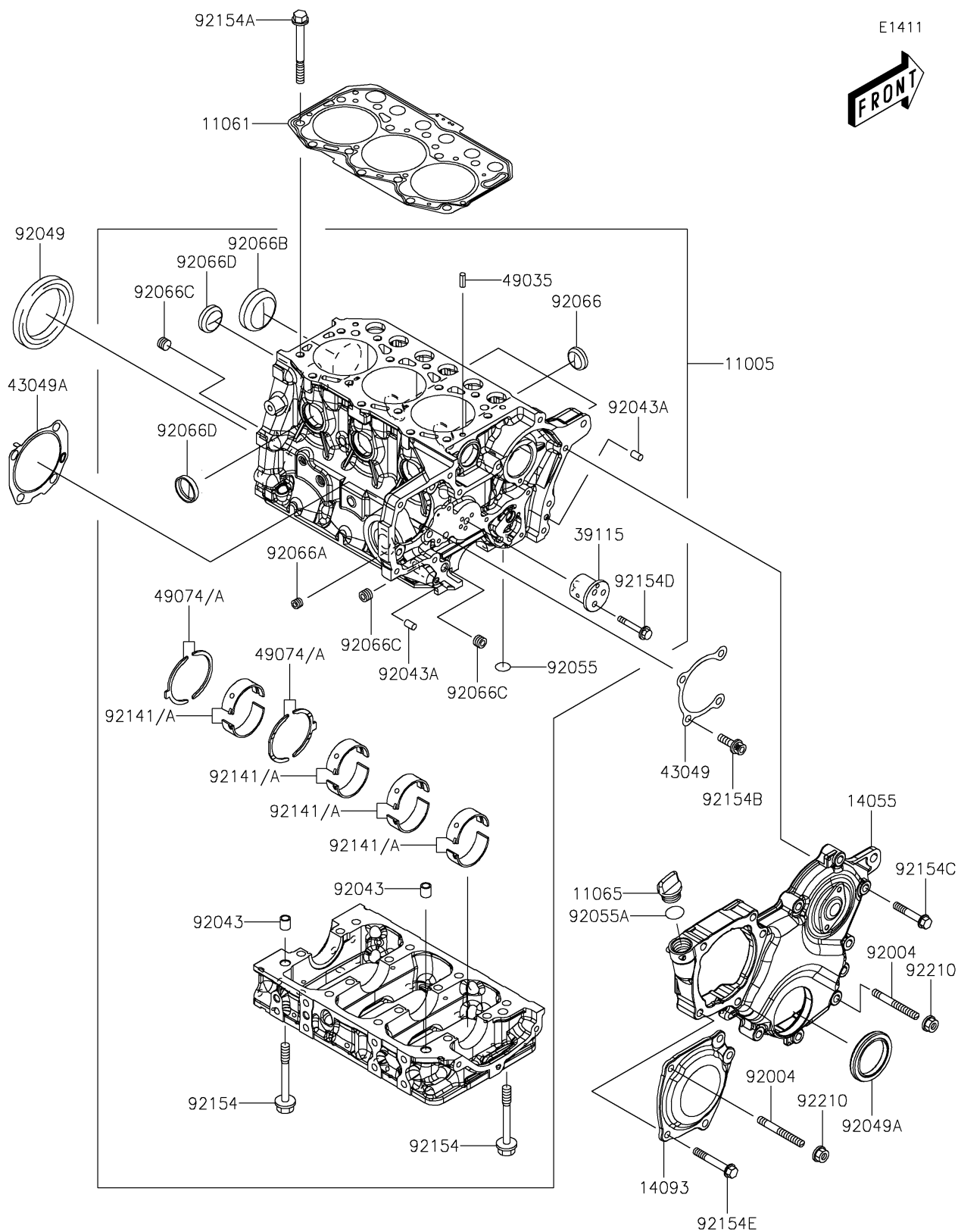


# 2022 MULE PRO-DXT™ EPS DIESEL FE

## PARTS DIAGRAM

### Crankcase



# 2022 MULE PRO-DXT™ EPS DIESEL FE



## PARTS LIST

### Crankcase

| ITEM NAME | PART NUMBER | QUANTITY |
|-----------|-------------|----------|
|-----------|-------------|----------|

---