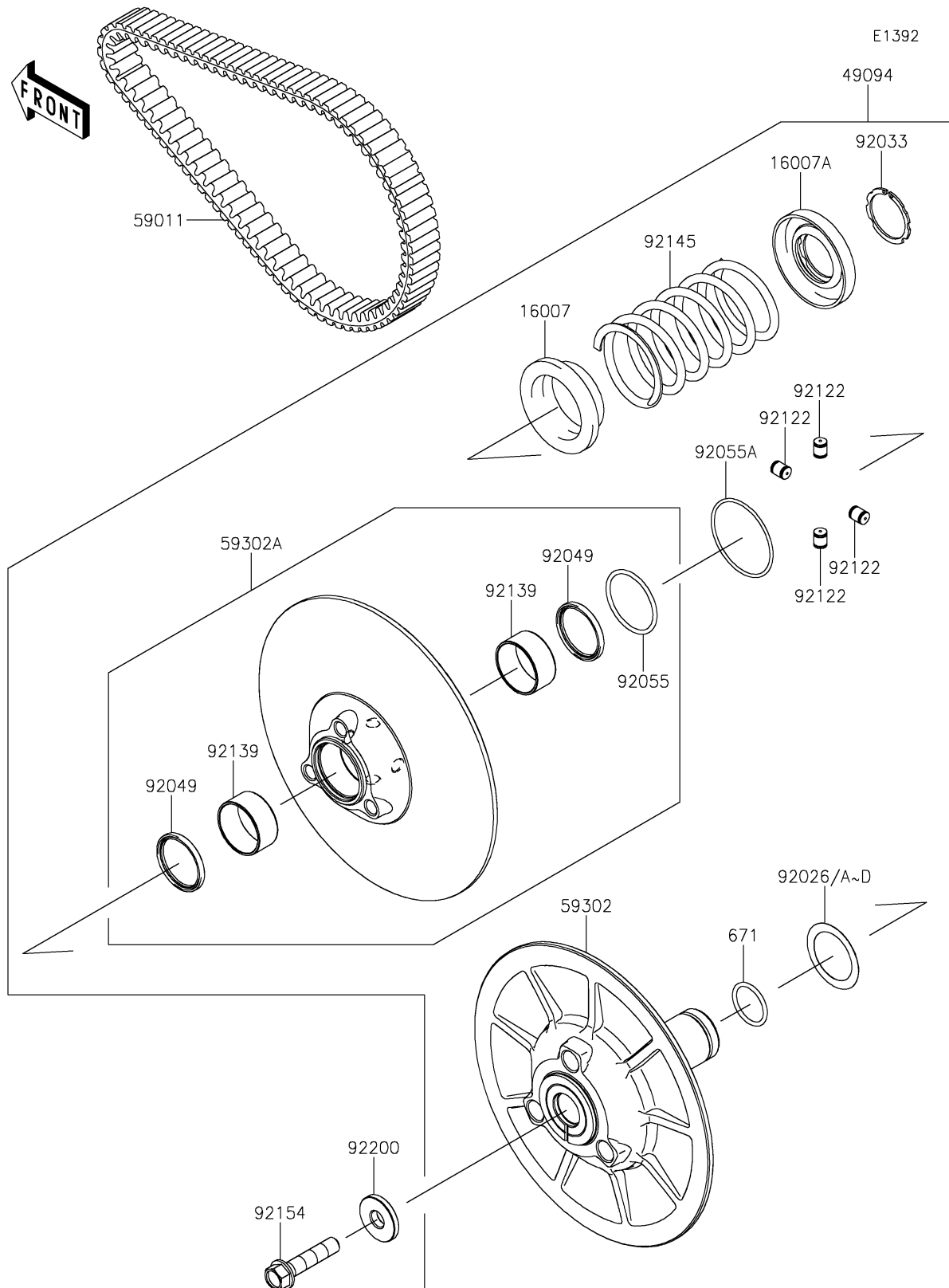


# 2024 MULE PRO-DXT™ FE DIESEL EPS

## PARTS DIAGRAM

### Driven Converter/Drive Belt



# 2024 MULE PRO-DXT™ FE DIESEL EPS



## PARTS LIST

Driven Converter/Drive Belt

**ITEM NAME**

**PART NUMBER**

**QUANTITY**

---