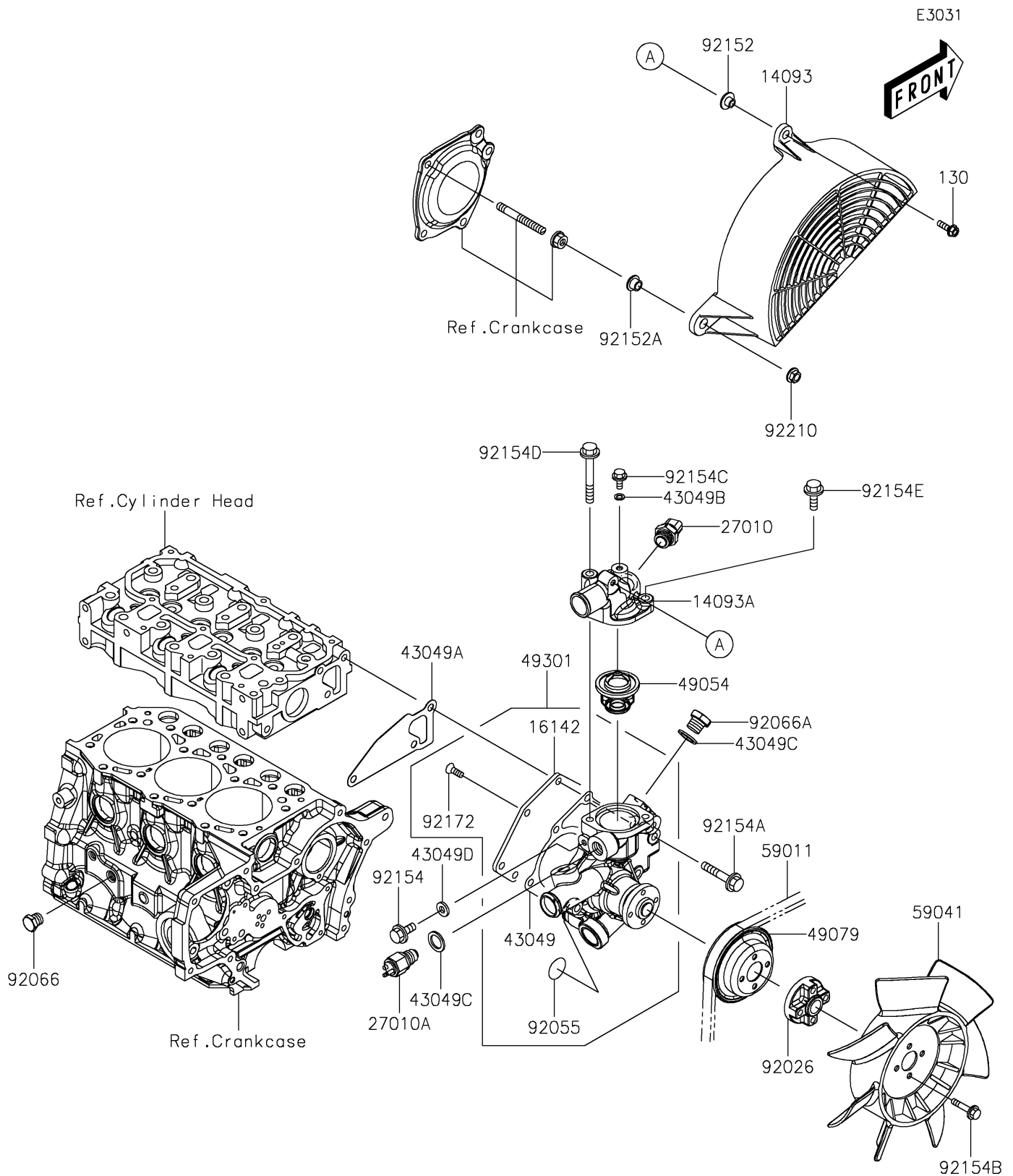


# 2022 MULE PRO-DX™ EPS DIESEL

## PARTS DIAGRAM

### Water Pump



# 2022 MULE PRO-DX™ EPS DIESEL



## PARTS LIST

### Water Pump

ITEM NAME	PART NUMBER	QUANTITY
-----------	-------------	----------

---