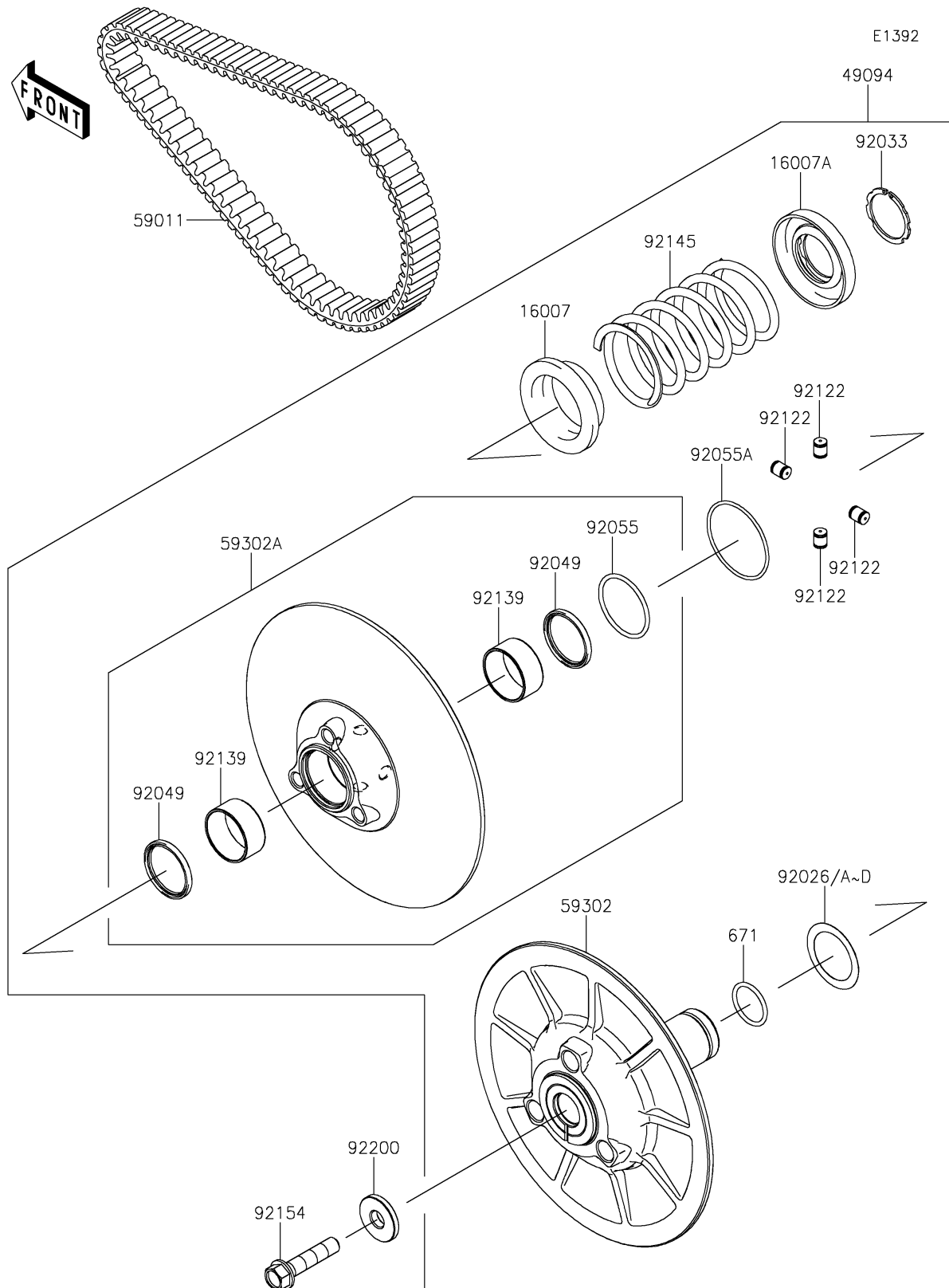


# 2022 MULE PRO-DX™ EPS DIESEL

## PARTS DIAGRAM

### Driven Converter/Drive Belt



# 2022 MULE PRO-DX™ EPS DIESEL



## PARTS LIST

### Driven Converter/Drive Belt

ITEM NAME	PART NUMBER	QUANTITY
-----------	-------------	----------

---