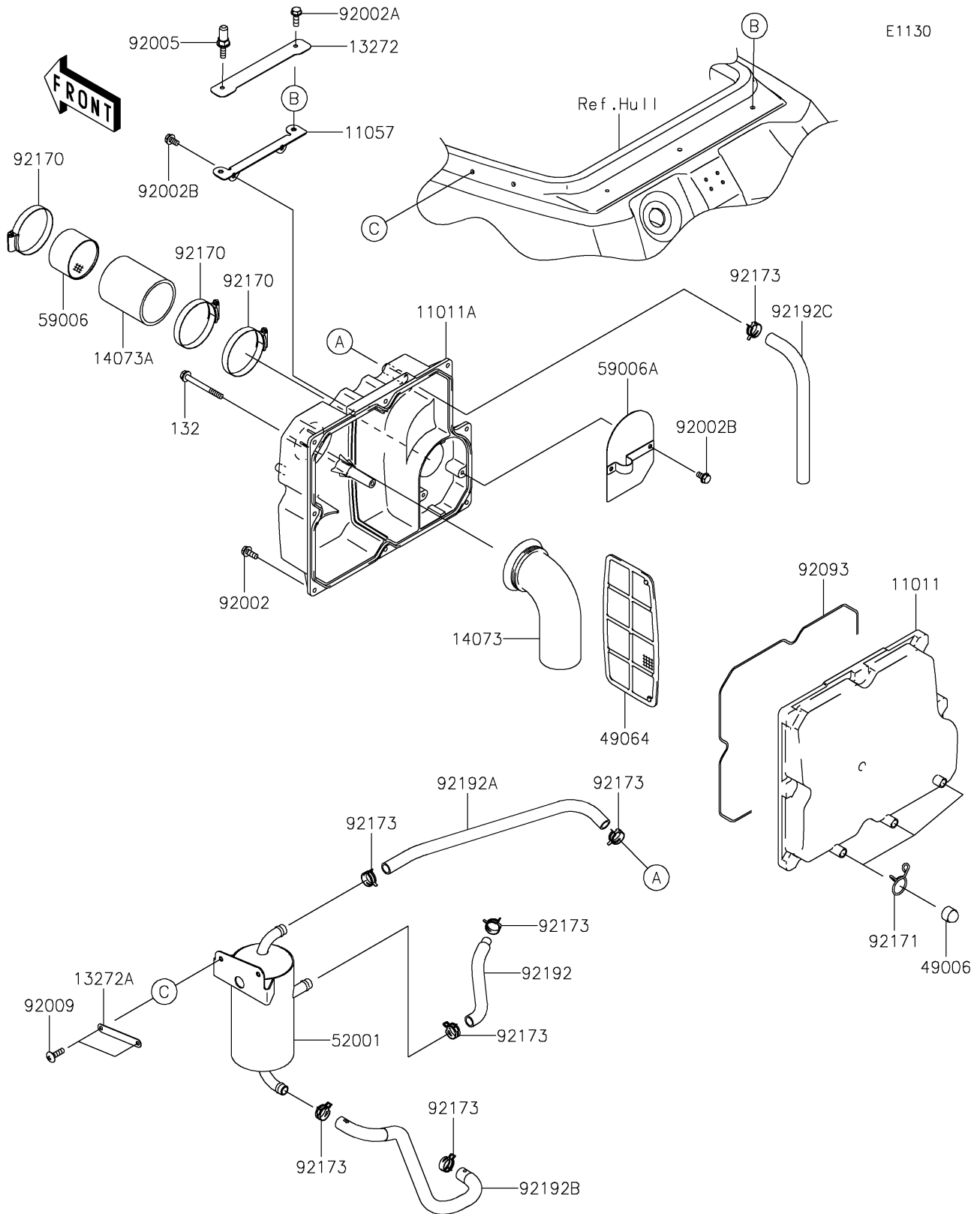


2022 JET SKI® SX-R™

PARTS DIAGRAM

Intake Silencer



2022 JET SKI® SX-R™

PARTS LIST

Intake Silencer

| ITEM NAME | PART NUMBER | QUANTITY |
|---|-------------|----------|
| CASE-AIR FILTER,RR (Ref # 11011) | 11011-3704 | 1 |
| CASE-AIR FILTER,FR (Ref # 11011A) | 11011-3706 | 1 |
| BRACKET (Ref # 11057) | 11057-0450 | 1 |
| PLATE (Ref # 13272) | 13272-2418 | 1 |
| PLATE (Ref # 13272A) | 13272-2419 | 1 |
| DUCT,AIR INLET (Ref # 14073) | 14073-3794 | 1 |
| DUCT,AIR FILTER-THOROTTLE (Ref # 14073A) | 14073-3795 | 1 |
| BOOT,DRAIN (Ref # 49006) | 49006-3718 | 3 |
| FILTER-AIR (Ref # 49064) | 49064-3702 | 1 |
| TANK-OIL (Ref # 52001) | 52001-0010 | 1 |
| ARRESTER-FLAME (Ref # 59006) | 59006-0019 | 1 |
| ARRESTER-FLAME (Ref # 59006A) | 59006-3720 | 1 |
| BOLT,6X16 (Ref # 92002) | 92002-3728 | 8 |
| BOLT,6X20 (Ref # 92002A) | 92002-3755 | 1 |
| BOLT,6X12 (Ref # 92002B) | 92002-3763 | 4 |
| FITTING (Ref # 92005) | 92005-0877 | 1 |
| SCREW,6X20 (Ref # 92009) | 92009-3870 | 2 |
| SEAL (Ref # 92093) | 92093-3766 | 1 |
| CLAMP (Ref # 92170) | 92170-3764 | 3 |
| CLAMP,BOOT (Ref # 92171) | 92171-3711 | 3 |
| CLAMP (Ref # 92173) | 92173-1039 | 7 |
| TUBE,CYLINDER HEAD-OIL TANK (Ref # 92192) | 92192-1704 | 1 |
| TUBE,OIL TANK-AIR CLEANER (Ref # 92192A) | 92192-1705 | 1 |
| TUBE,OIL TANK-OIL PAN (Ref # 92192B) | 92192-1776 | 1 |
| TUBE,BLOWBY (Ref # 92192C) | 92192-3725 | 1 |
| BOLT-FLANGED-SMALL,6X60 (Ref # 132) | 132BD0660 | 1 |