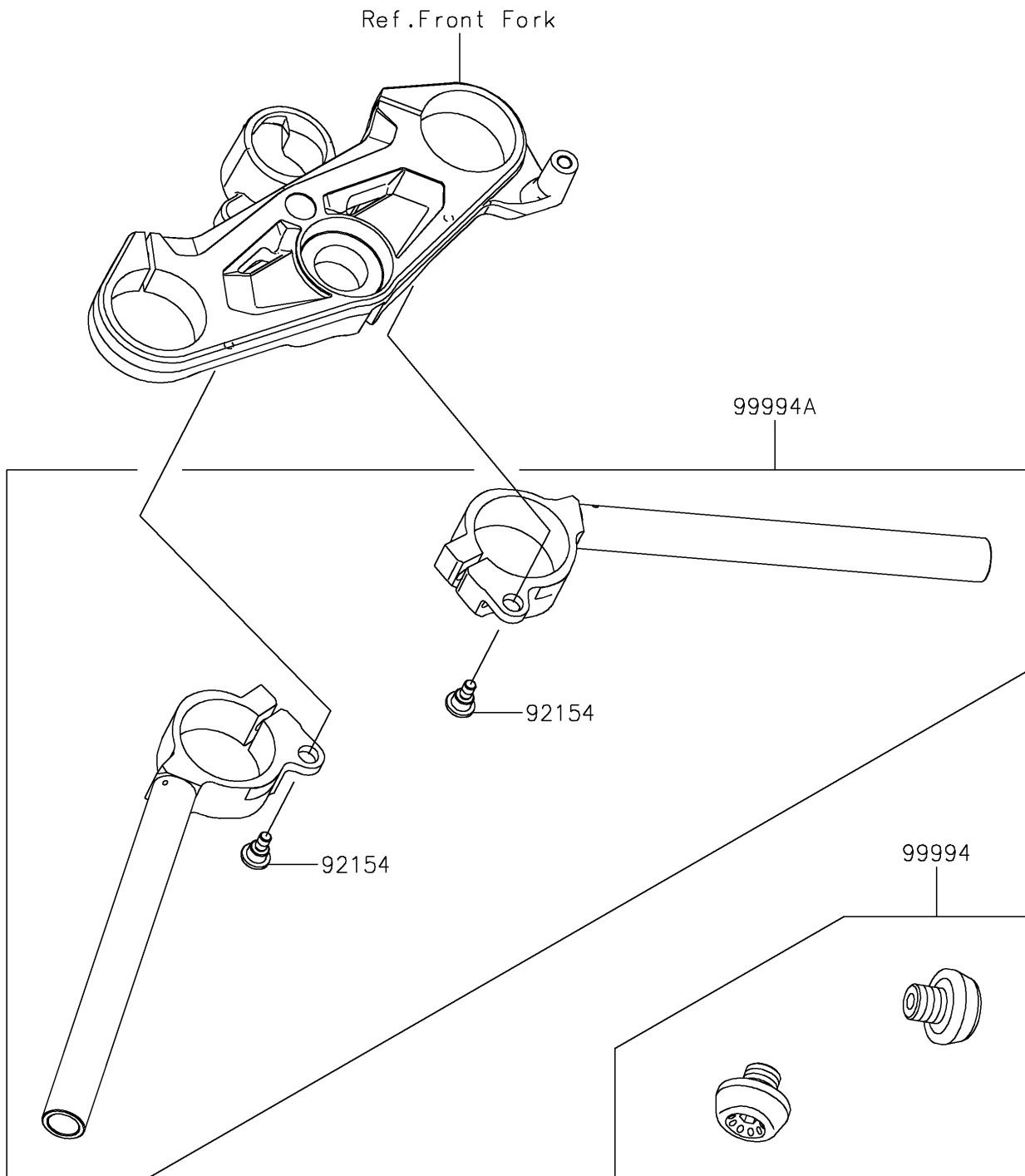


2025 NINJA H2[®] CARBON ABS

PARTS DIAGRAM

Accessory(Handle)

F2910A



2025 NINJA H2[®] CARBON ABS

PARTS LIST

Accessory(Handle)

ITEM NAME

PART NUMBER

QUANTITY
