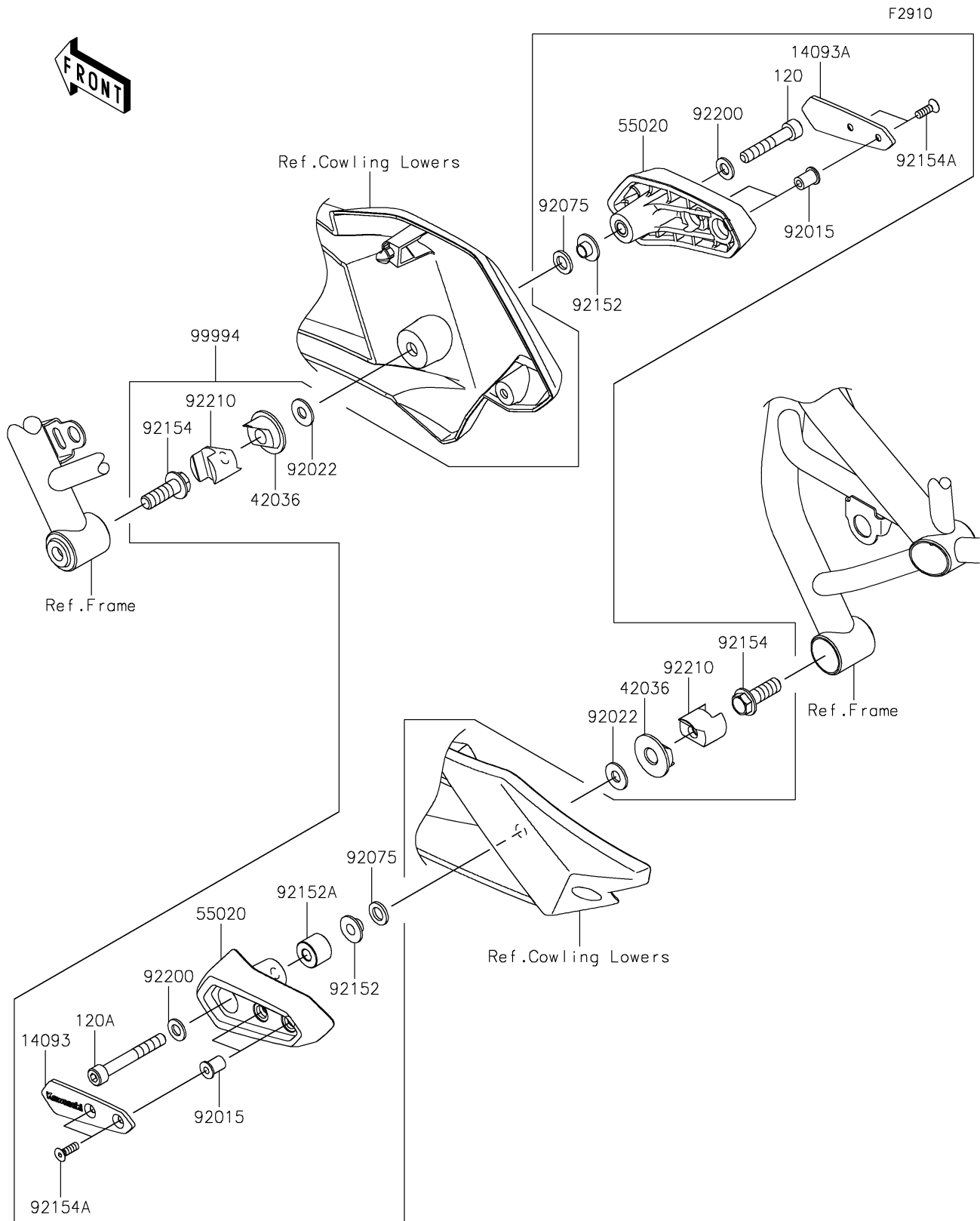


2025 NINJA H2[®] CARBON ABS

PARTS DIAGRAM

Accessory(Slider)



2025 NINJA H2[®] CARBON ABS

PARTS LIST

Accessory(Slider)

ITEM NAME	PART NUMBER	QUANTITY
-----------	-------------	----------
