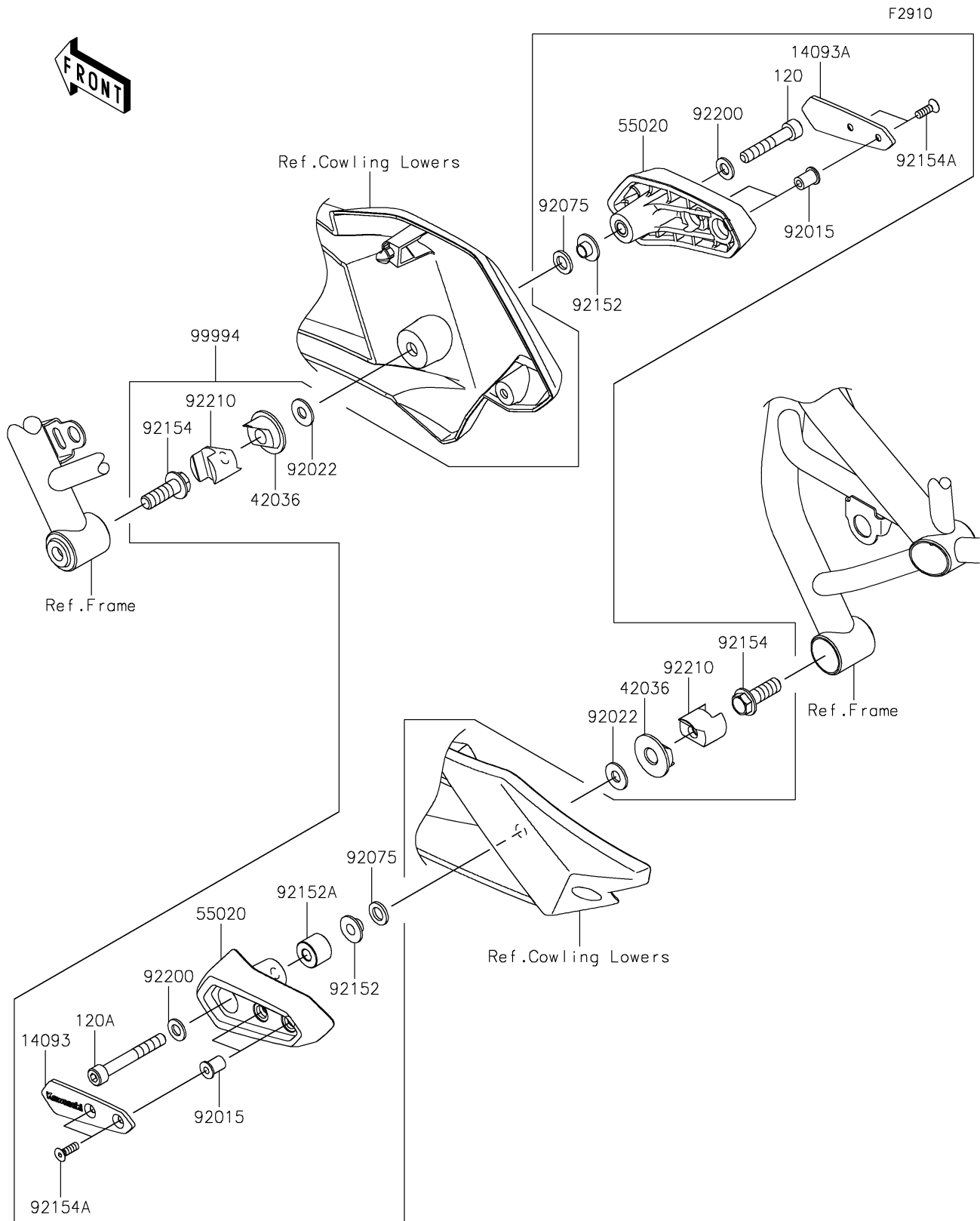


# 2024 NINJA H2<sup>®</sup> CARBON ABS

## PARTS DIAGRAM

### Accessory(Slider)



# 2024 NINJA H2<sup>®</sup> CARBON ABS

## PARTS LIST

Accessory(Slider)

**ITEM NAME**

**PART NUMBER**

**QUANTITY**

---