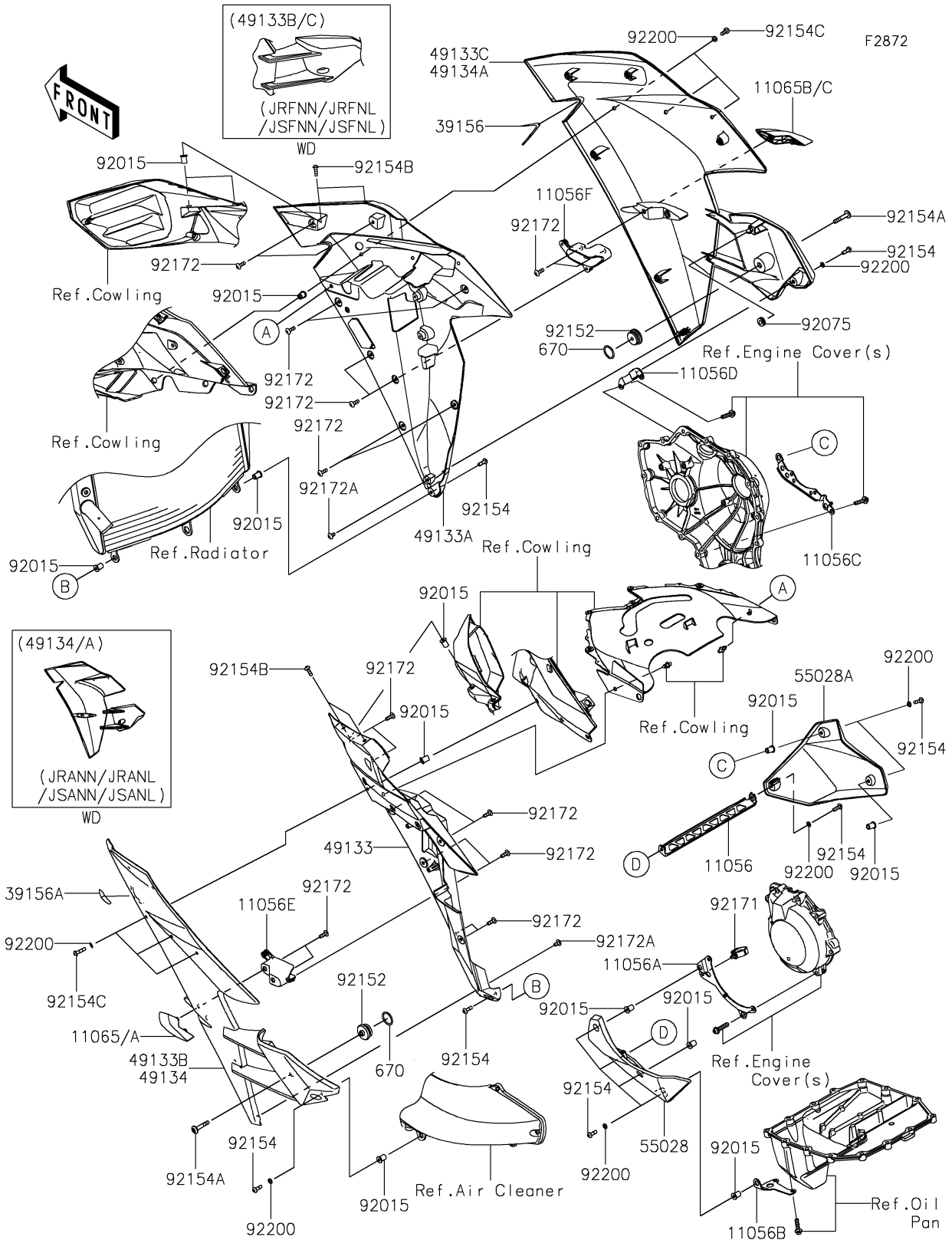


2024 NINJA H2[®] CARBON ABS

PARTS DIAGRAM

Cowling Lower



2024 NINJA H2[®] CARBON ABS

PARTS LIST

Cowling Lowers

ITEM NAME	PART NUMBER	QUANTITY
-----------	-------------	----------
