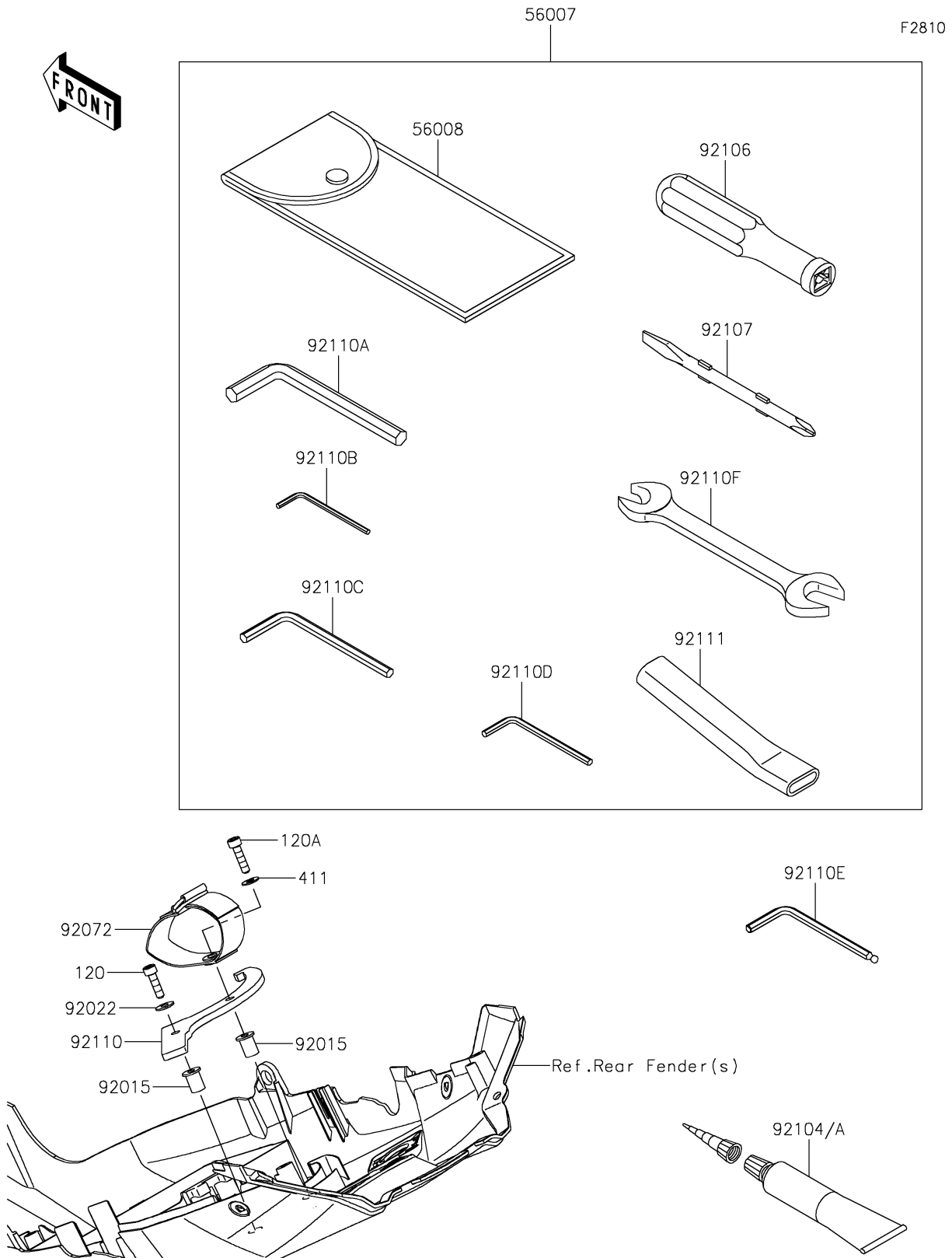


2024 NINJA H2[®] CARBON ABS

PARTS DIAGRAM

Owner's Tools



2024 NINJA H2[®] CARBON ABS

PARTS LIST Owner's Tools

| ITEM NAME | PART NUMBER | QUANTITY |
|-----------|-------------|----------|
|-----------|-------------|----------|
