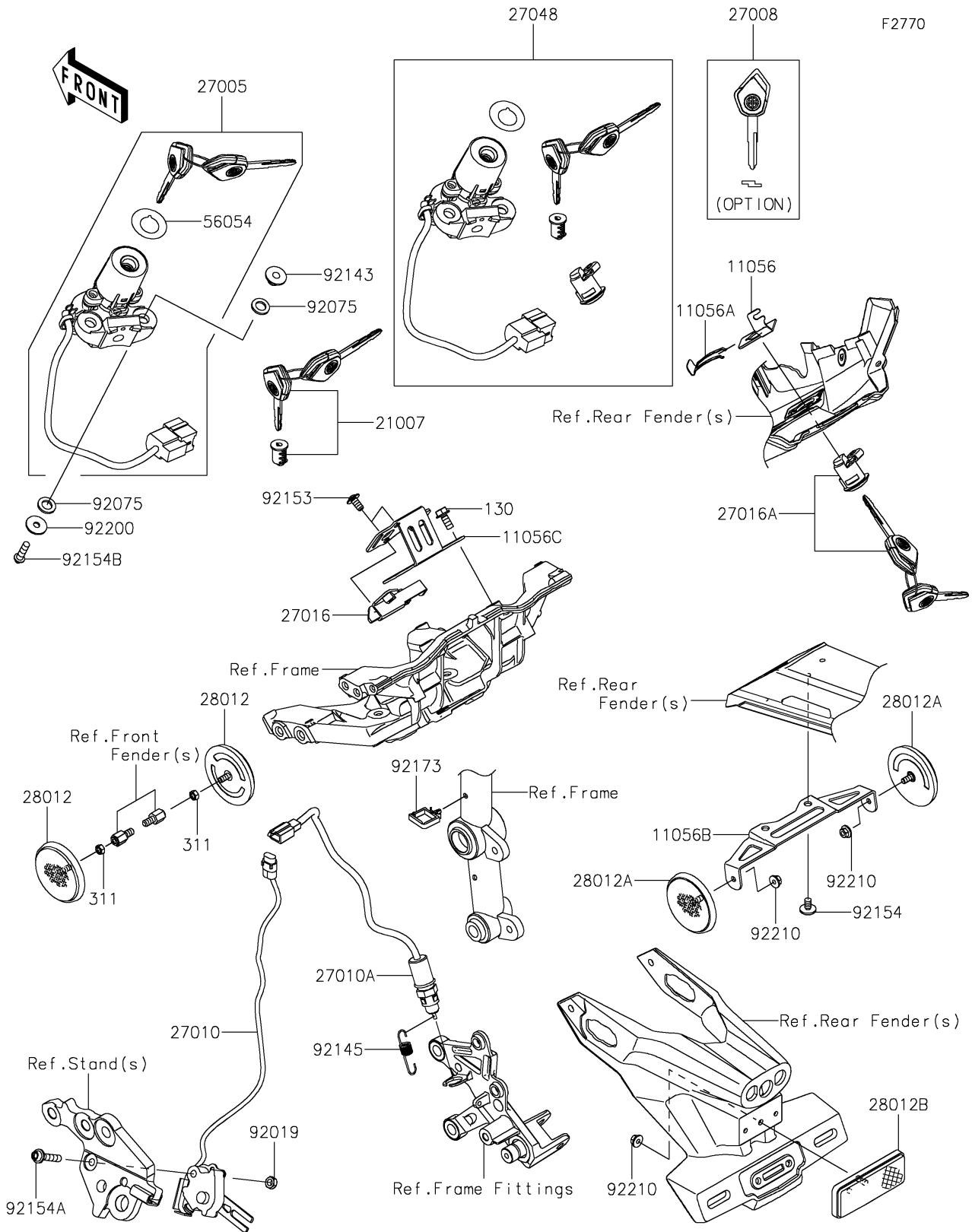


2025 NINJA H2[®] CARBON ABS

PARTS DIAGRAM

Ignition Switch/Locks/Reflectors



2025 NINJA H2[®] CARBON ABS

PARTS LIST

Ignition Switch/Locks/Reflectors

ITEM NAME	PART NUMBER	QUANTITY
-----------	-------------	----------
