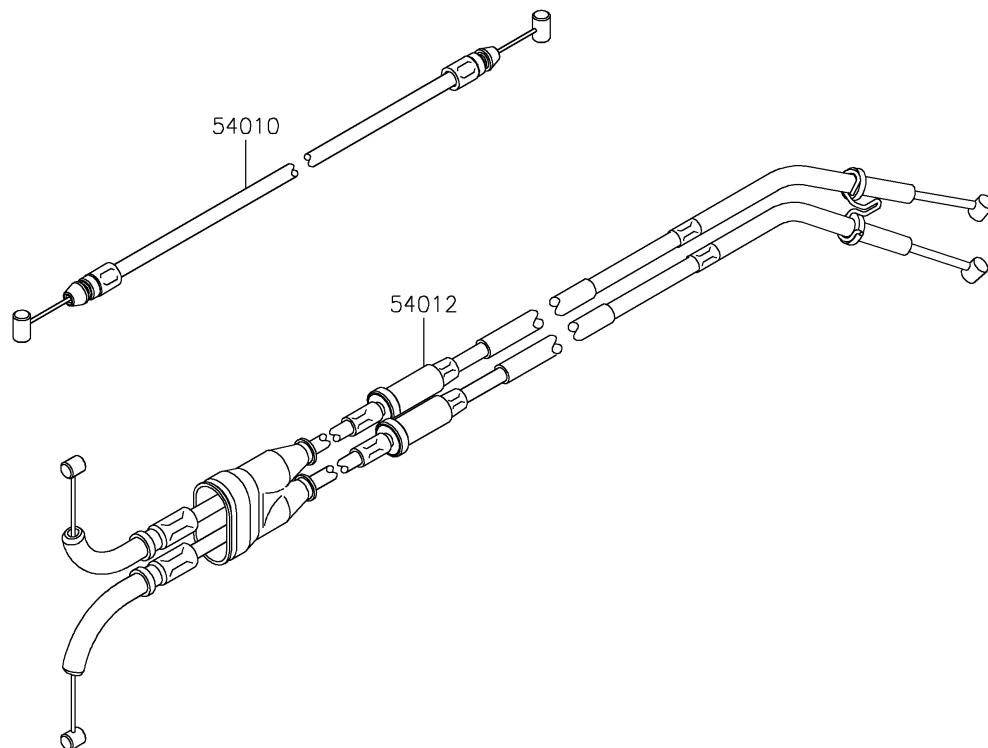
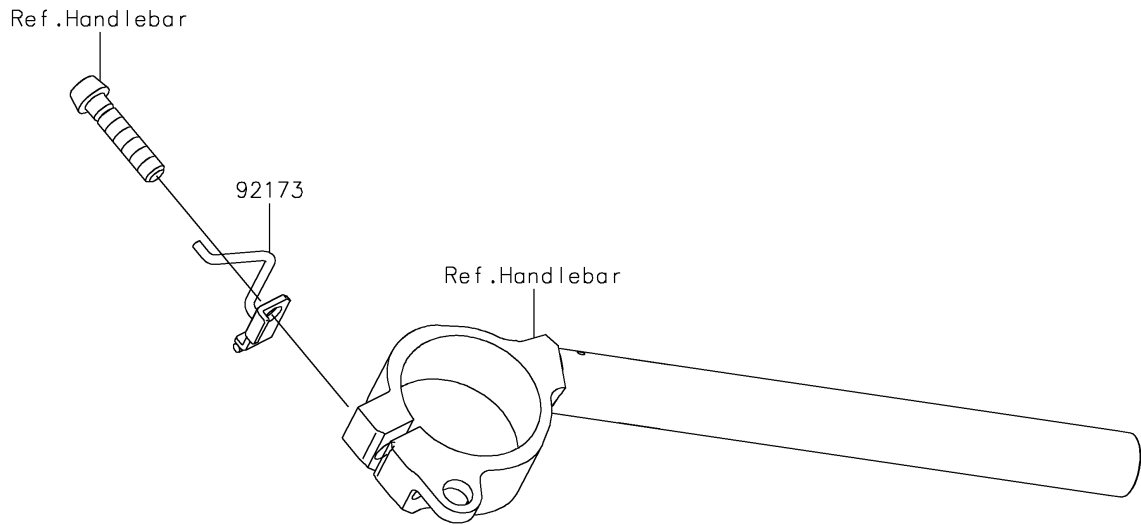


2025 NINJA H2[®] CARBON ABS

PARTS DIAGRAM

Cables

F2540



2025 NINJA H2[®] CARBON ABS

PARTS LIST

Cables

| ITEM NAME | PART NUMBER | QUANTITY |
|-----------|-------------|----------|
|-----------|-------------|----------|
