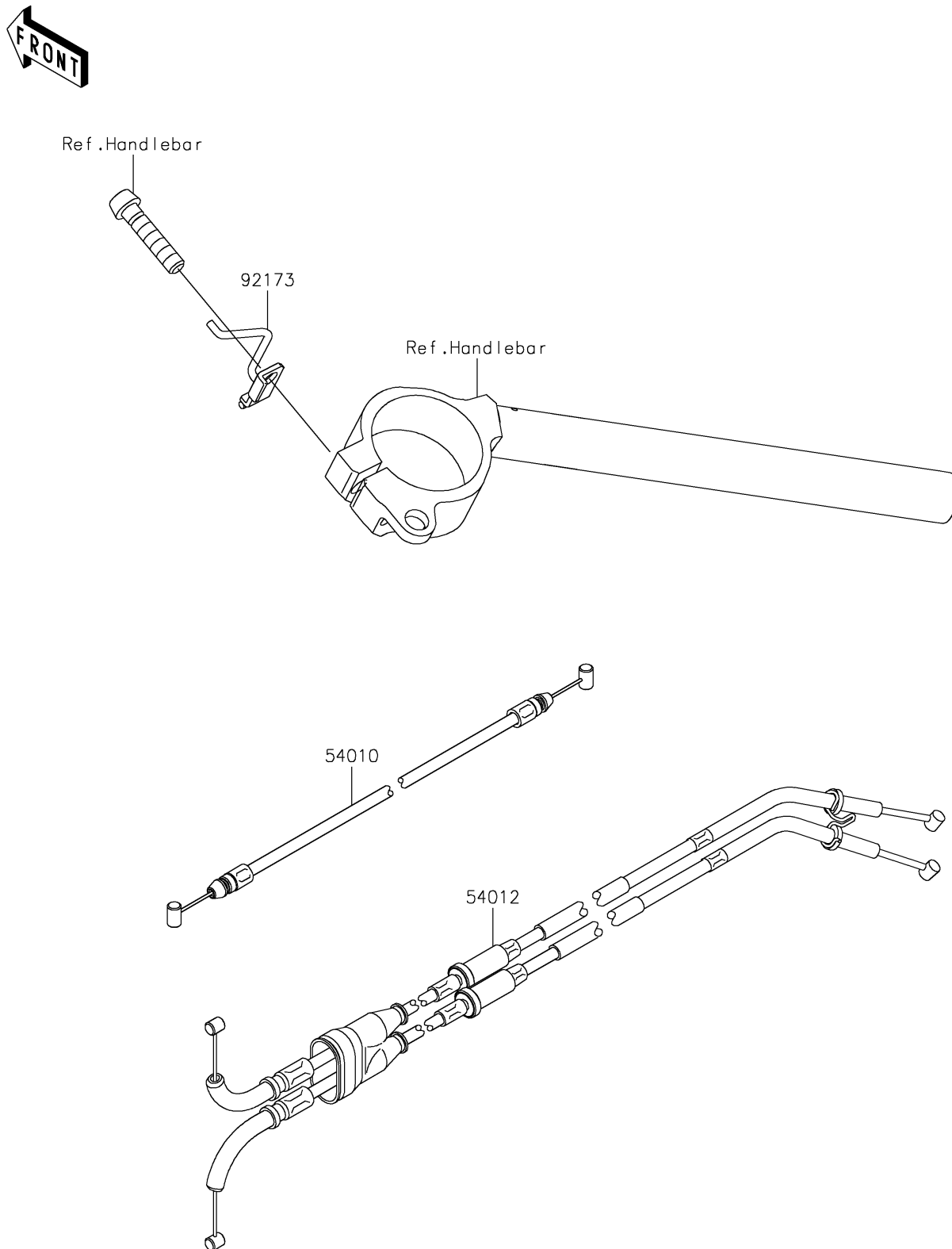


2024 NINJA H2[®] CARBON ABS

PARTS DIAGRAM

Cables

F2540



2024 NINJA H2[®] CARBON ABS

PARTS LIST

Cables

ITEM NAME	PART NUMBER	QUANTITY
-----------	-------------	----------
