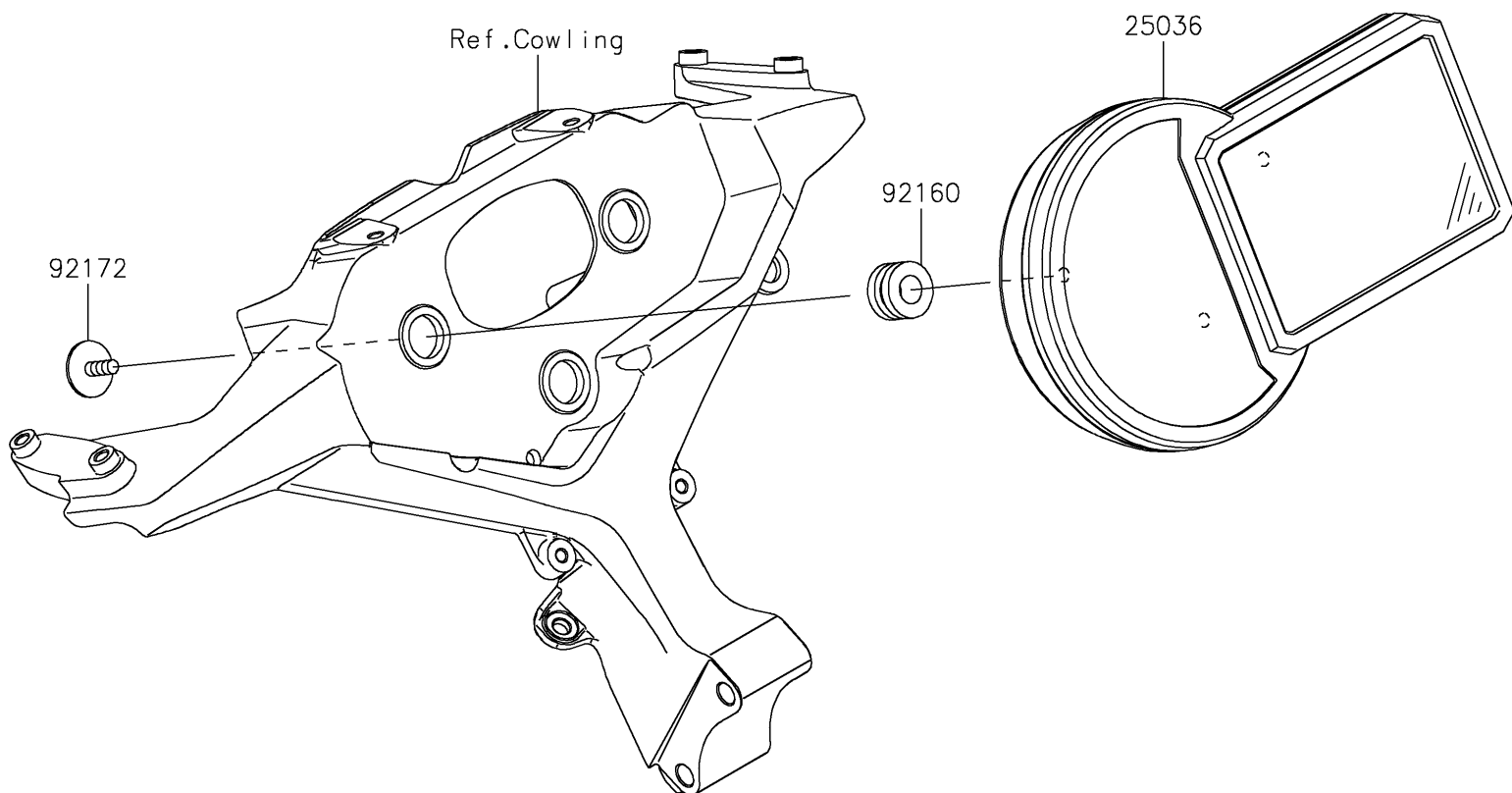


2025 NINJA H2[®] CARBON ABS

PARTS DIAGRAM

Meter(s)

F2530



2025 NINJA H2[®] CARBON ABS

PARTS LIST

Meter(s)

| ITEM NAME | PART NUMBER | QUANTITY |
|-----------|-------------|----------|
|-----------|-------------|----------|
