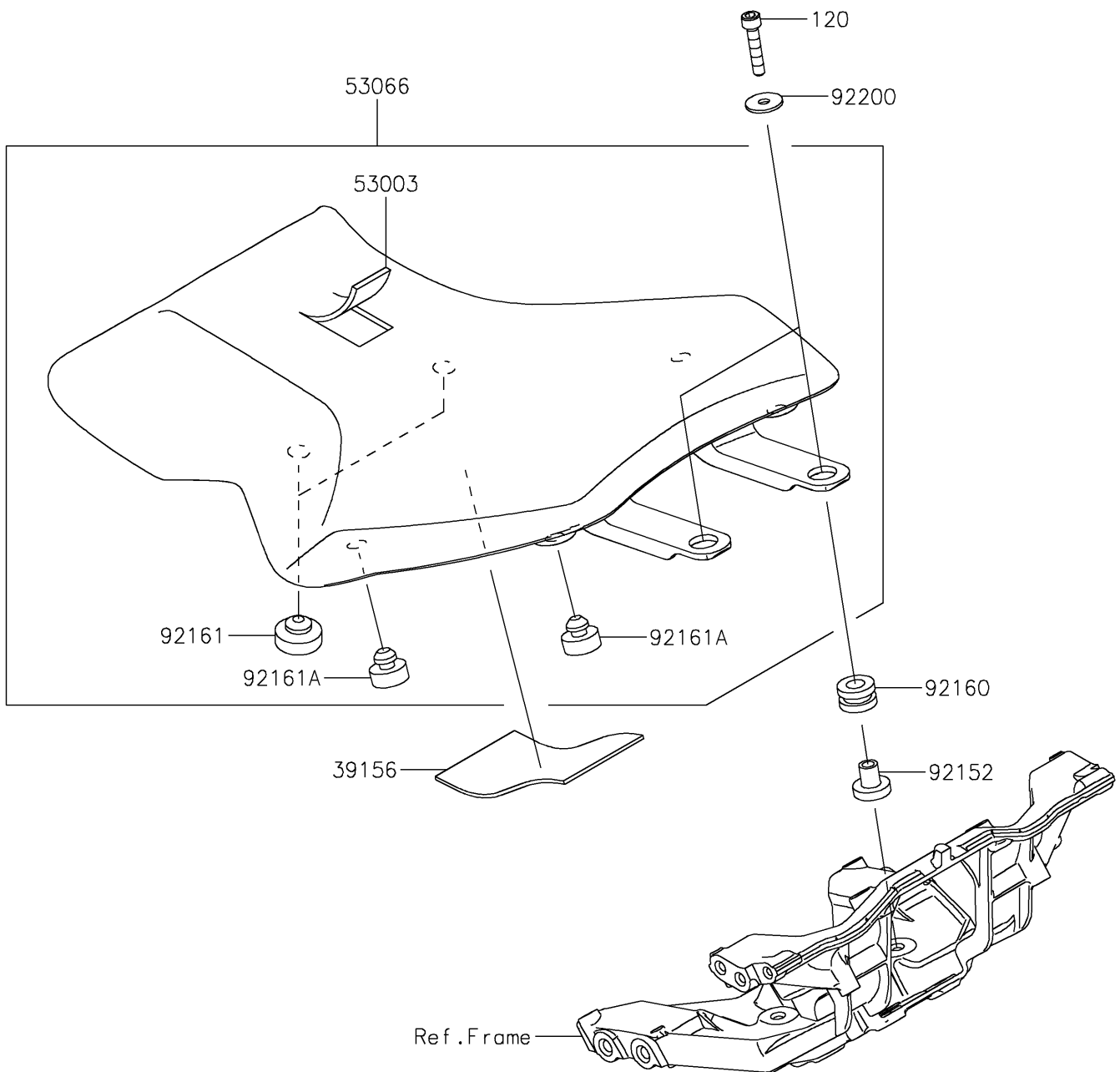


2024 NINJA H2[®] CARBON ABS

PARTS DIAGRAM

Seat

F2510



2024 NINJA H2[®] CARBON ABS



PARTS LIST

Seat

ITEM NAME	PART NUMBER	QUANTITY
-----------	-------------	----------
