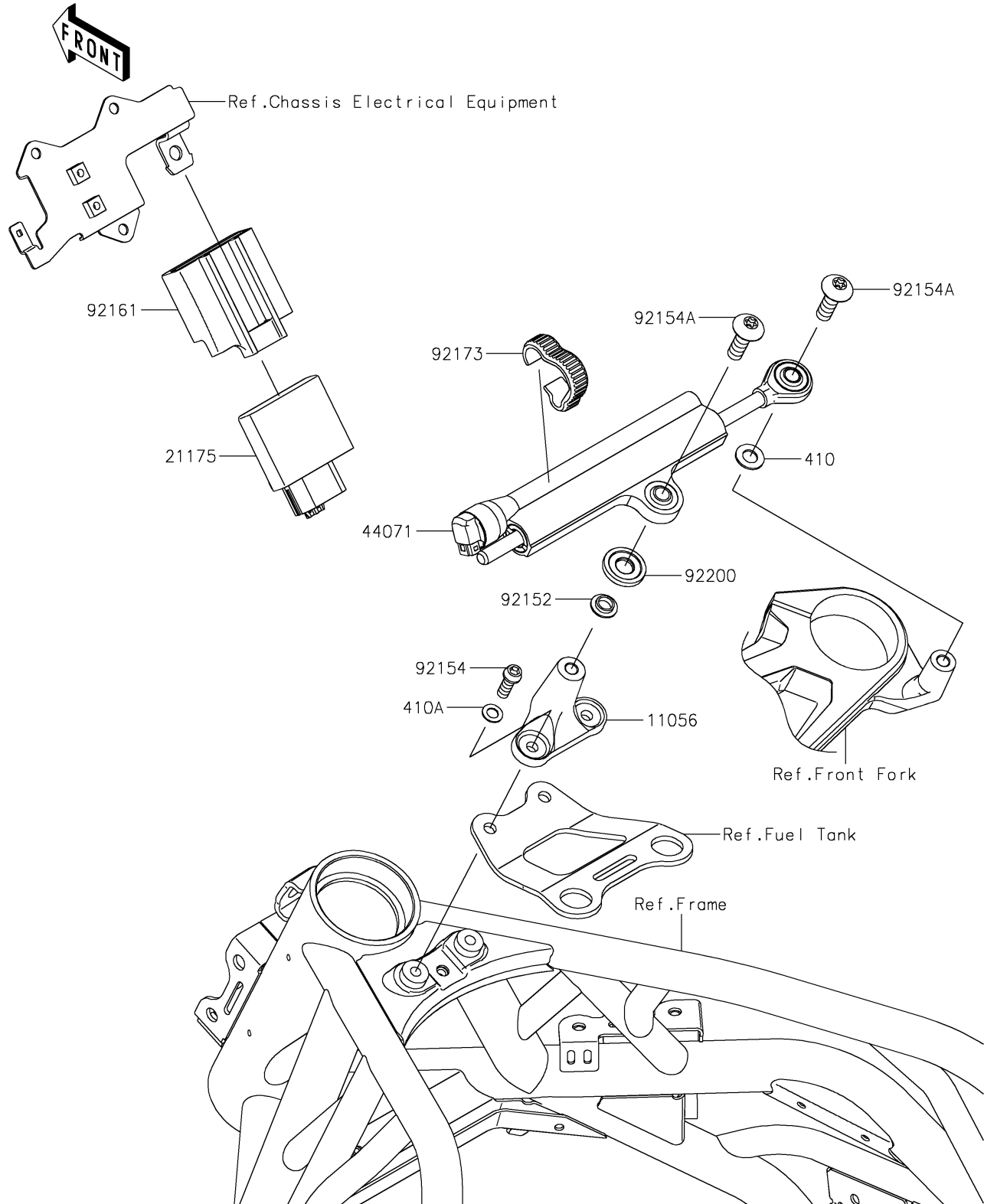


2025 NINJA H2[®] CARBON ABS

PARTS DIAGRAM

Steering Damper

F2313



2025 NINJA H2[®] CARBON ABS

PARTS LIST

Steering Damper

ITEM NAME	PART NUMBER	QUANTITY
-----------	-------------	----------
