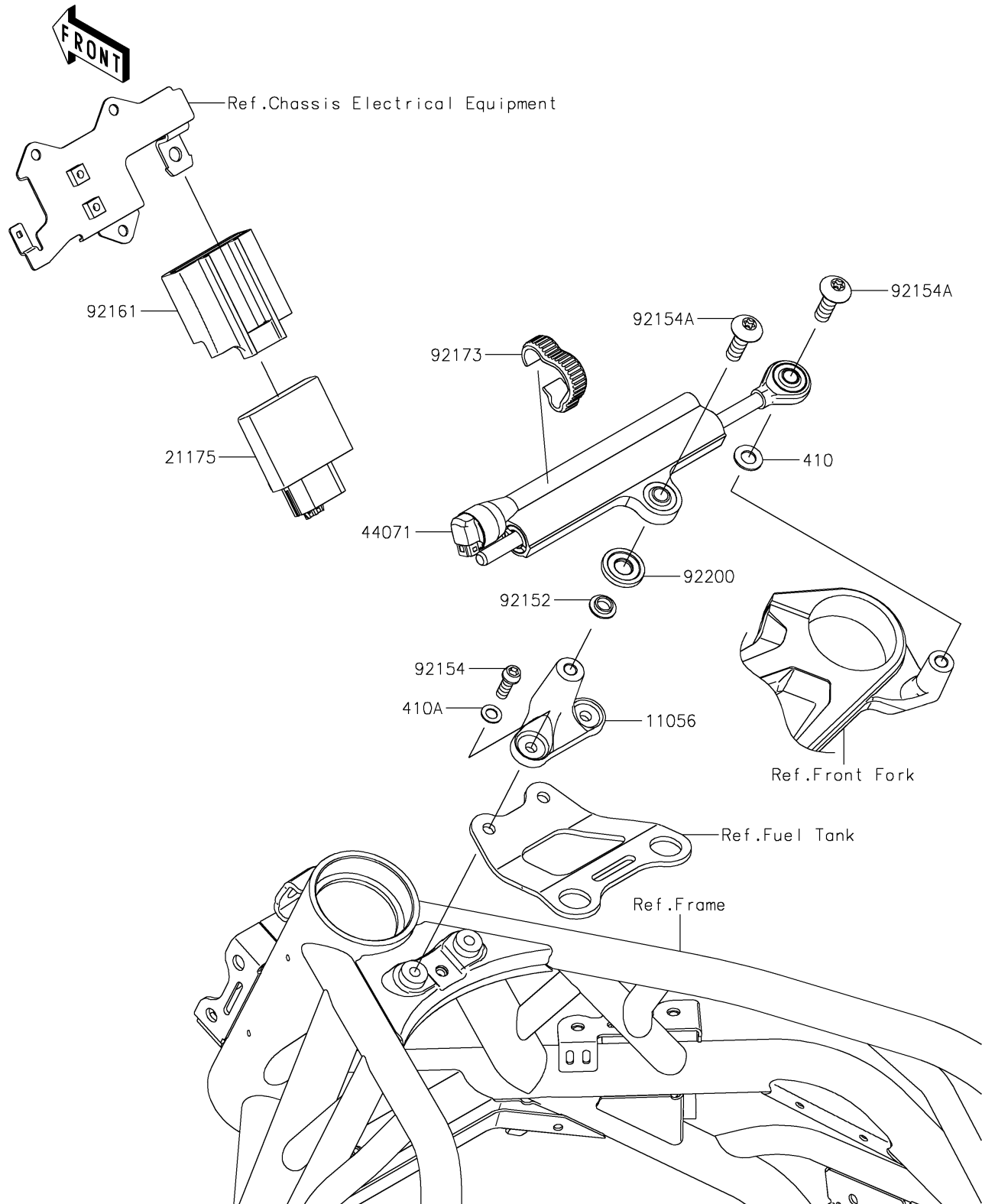


# 2024 NINJA H2<sup>®</sup> CARBON ABS

## PARTS DIAGRAM

### Steering Damper

F2313



# 2024 NINJA H2<sup>®</sup> CARBON ABS

## PARTS LIST

### Steering Damper

| ITEM NAME | PART NUMBER | QUANTITY |
|-----------|-------------|----------|
|-----------|-------------|----------|

---