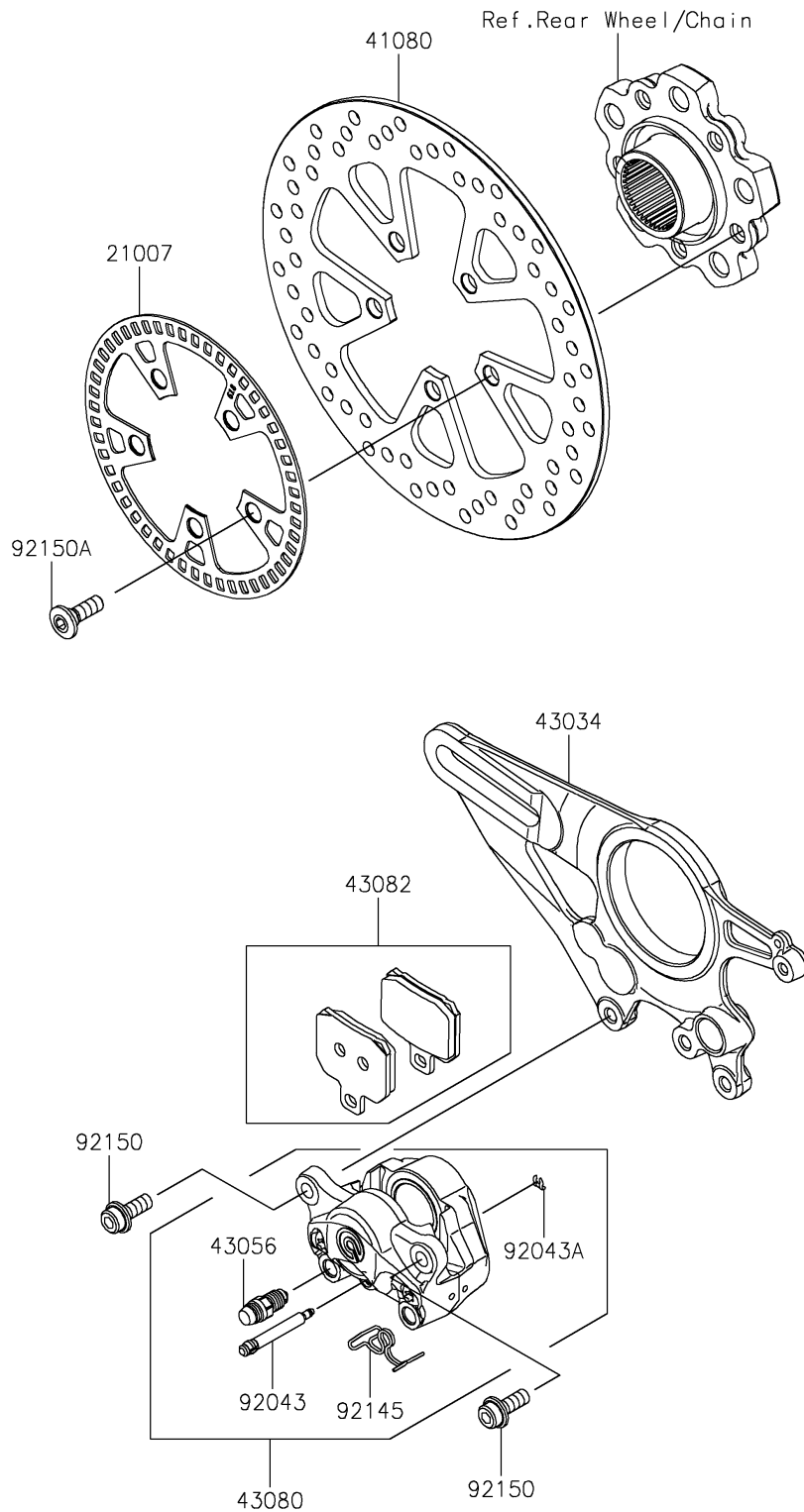


2024 NINJA H2[®] CARBON ABS

PARTS DIAGRAM

Rear Brake

F2294



2024 NINJA H2[®] CARBON ABS

PARTS LIST

Rear Brake

ITEM NAME	PART NUMBER	QUANTITY
-----------	-------------	----------
