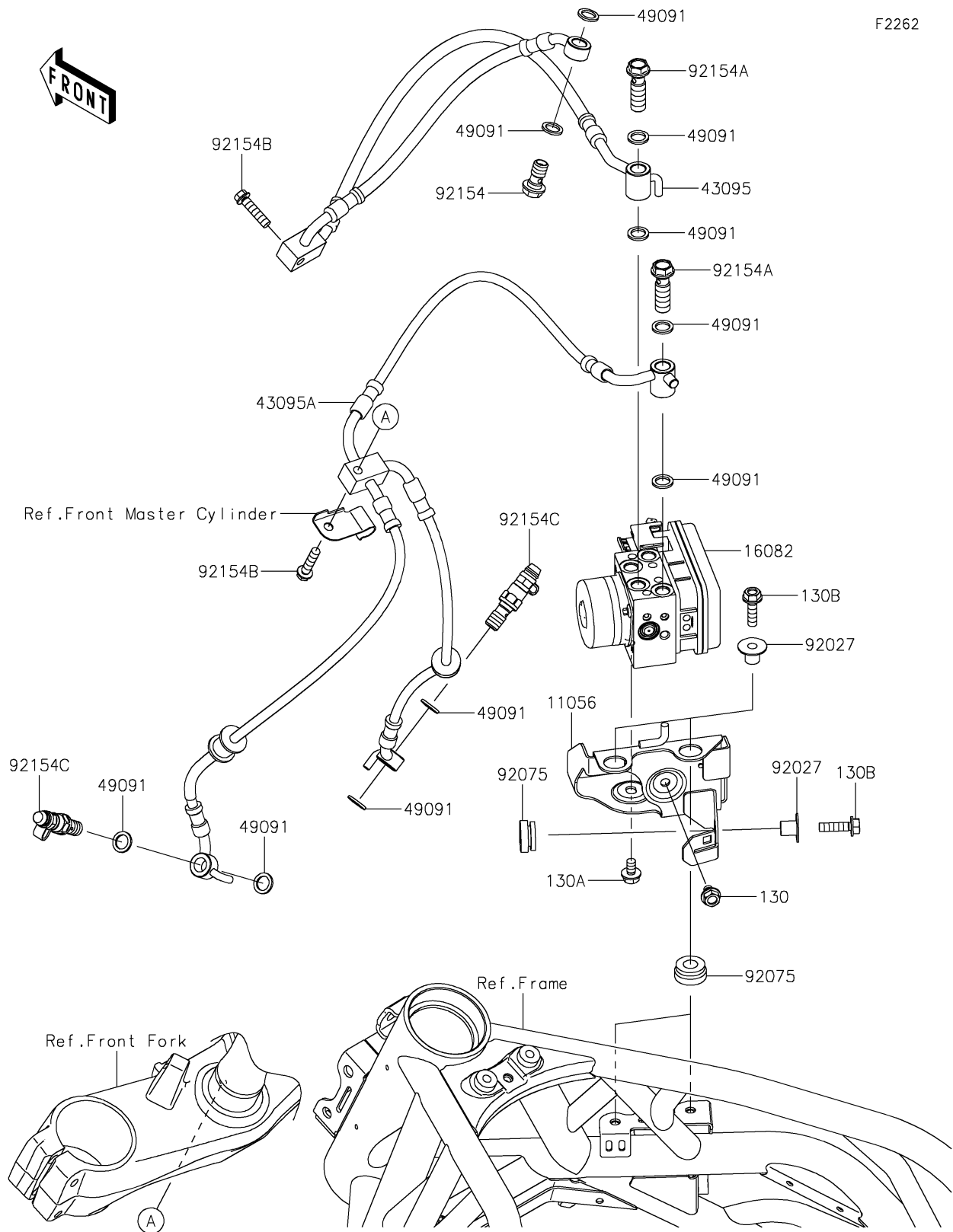


2025 NINJA H2[®] CARBON ABS

PARTS DIAGRAM

Brake Piping



F2262

2025 NINJA H2[®] CARBON ABS

PARTS LIST

Brake Piping

ITEM NAME	PART NUMBER	QUANTITY
-----------	-------------	----------
