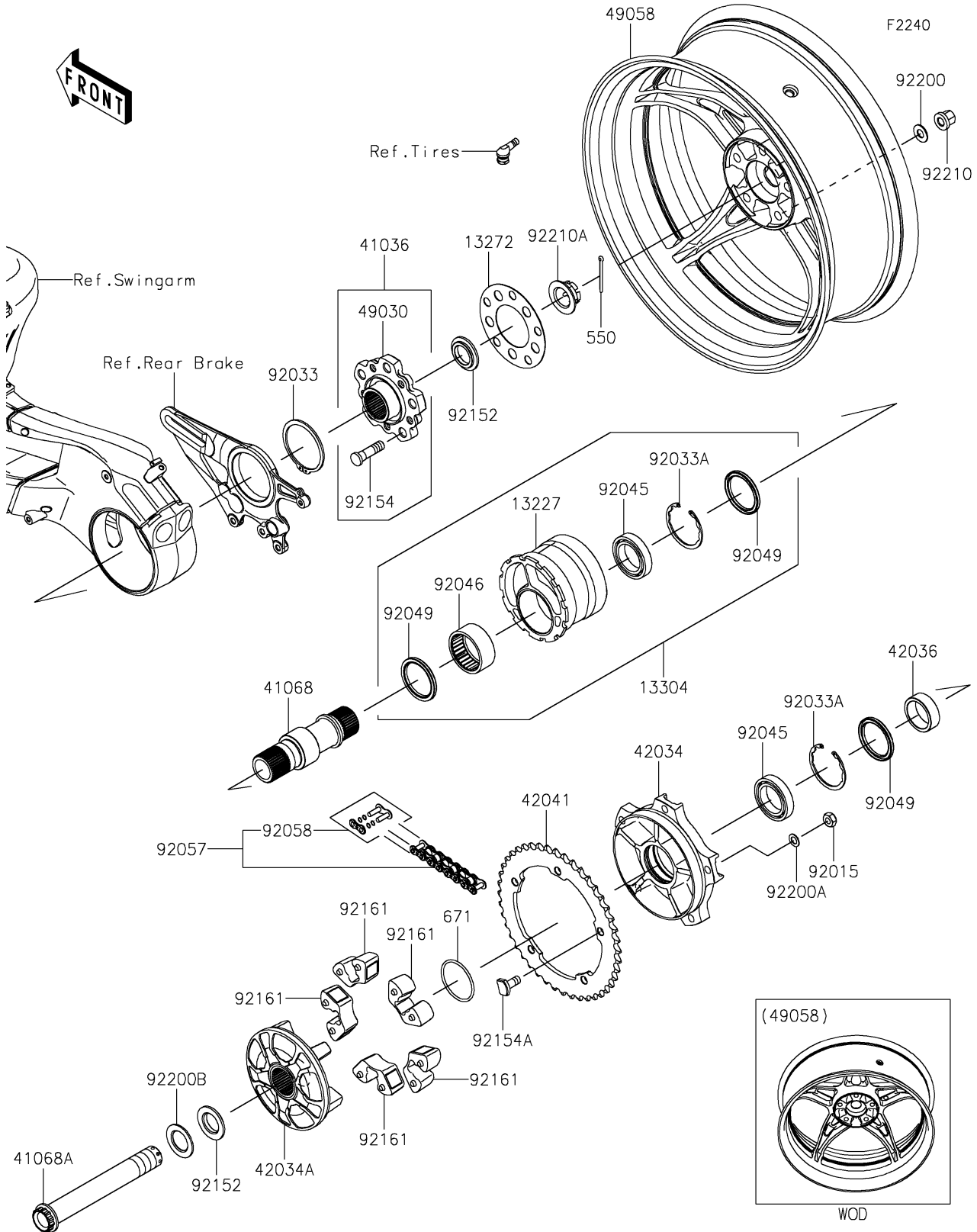


2024 NINJA H2[®] CARBON ABS

PARTS DIAGRAM

Rear Wheel/Chain



2024 NINJA H2[®] CARBON ABS



PARTS LIST

Rear Wheel/Chain

ITEM NAME	PART NUMBER	QUANTITY
-----------	-------------	----------