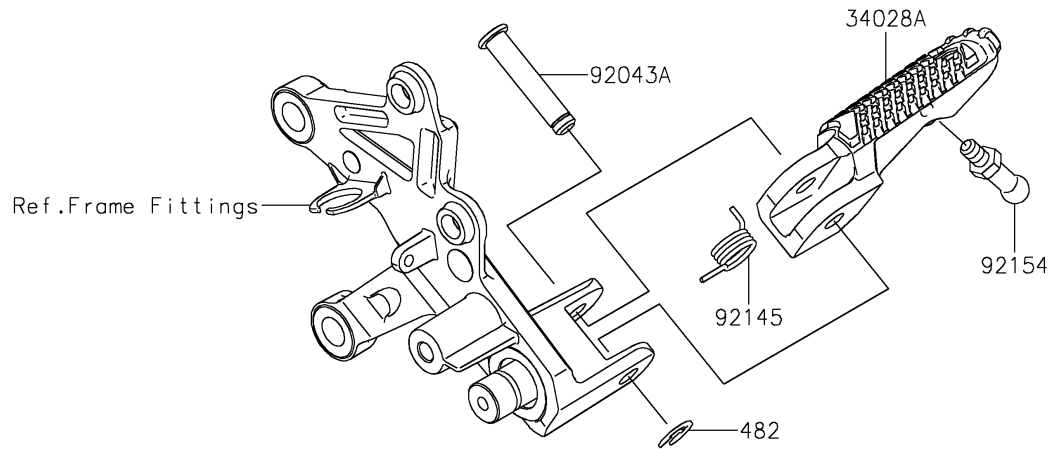


# 2024 NINJA H2<sup>®</sup> CARBON ABS

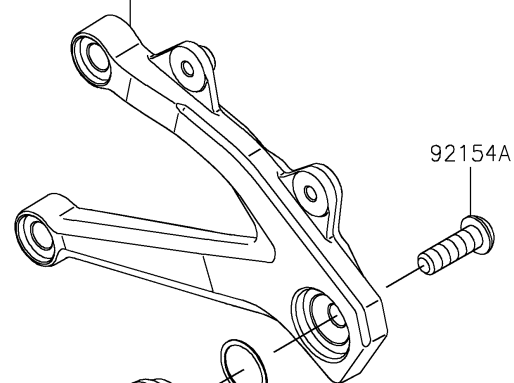
## PARTS DIAGRAM

### Footrests

F2160



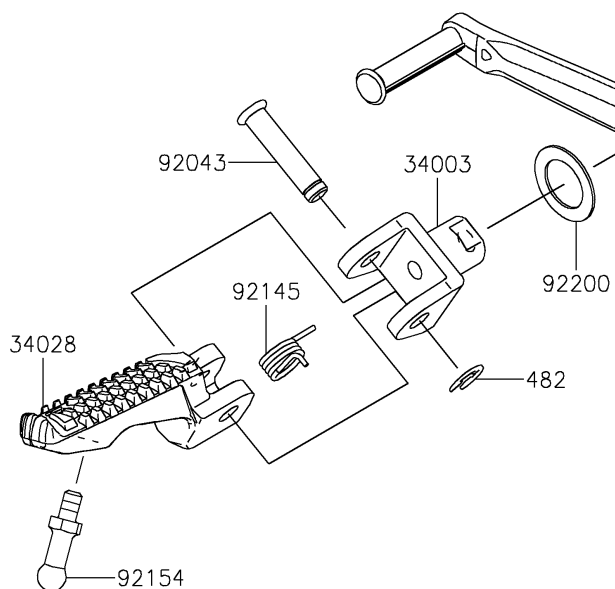
Ref. Frame Fittings



92154A

92022

Ref. Gear Change Mechanism



92043

34003

92145

92200

482

34028

92154

# 2024 NINJA H2<sup>®</sup> CARBON ABS



## PARTS LIST

### Footrests

ITEM NAME	PART NUMBER	QUANTITY
-----------	-------------	----------