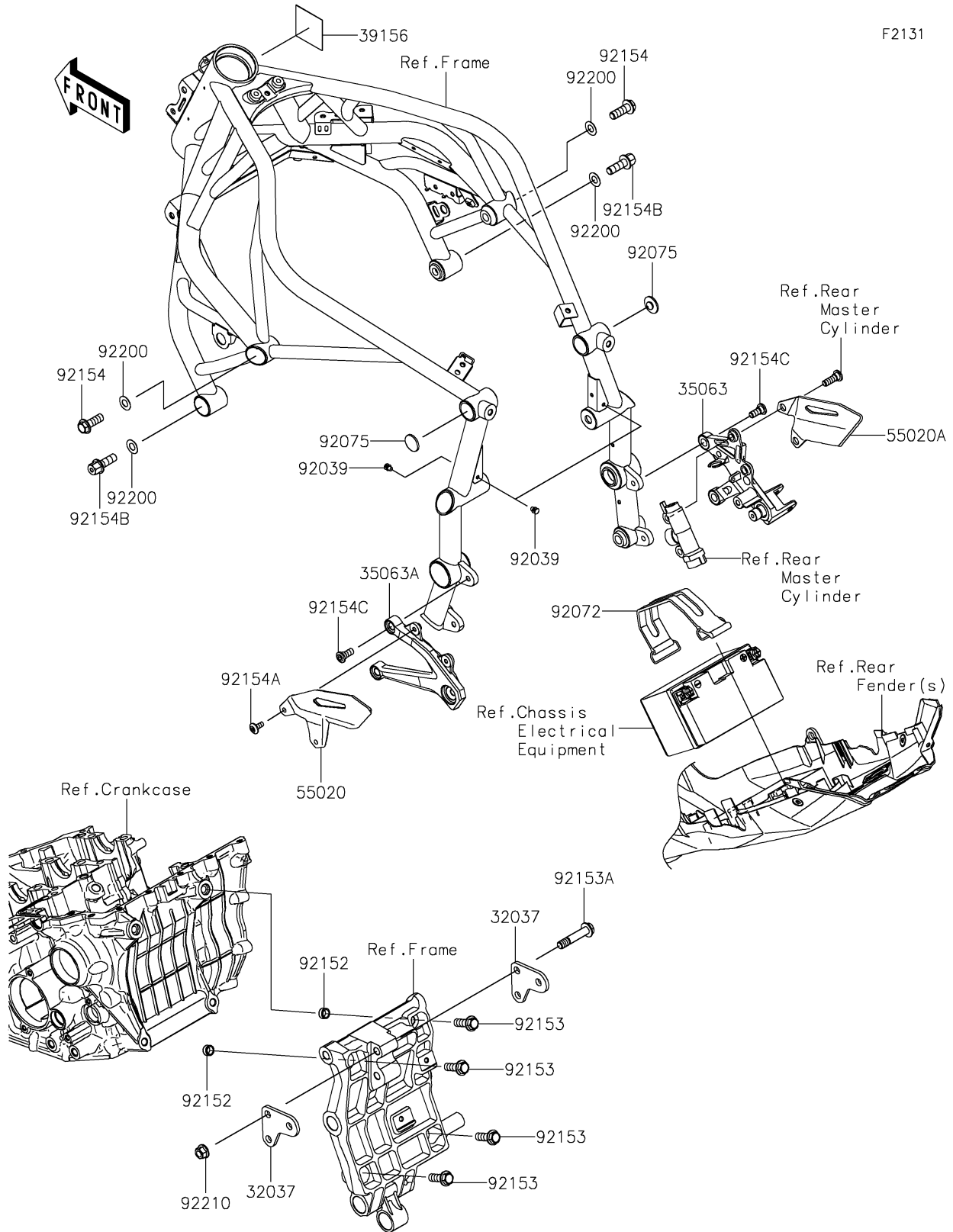


2024 NINJA H2[®] CARBON ABS

PARTS DIAGRAM

Frame Fittings



2024 NINJA H2[®] CARBON ABS

PARTS LIST

Frame Fittings

ITEM NAME	PART NUMBER	QUANTITY
-----------	-------------	----------
