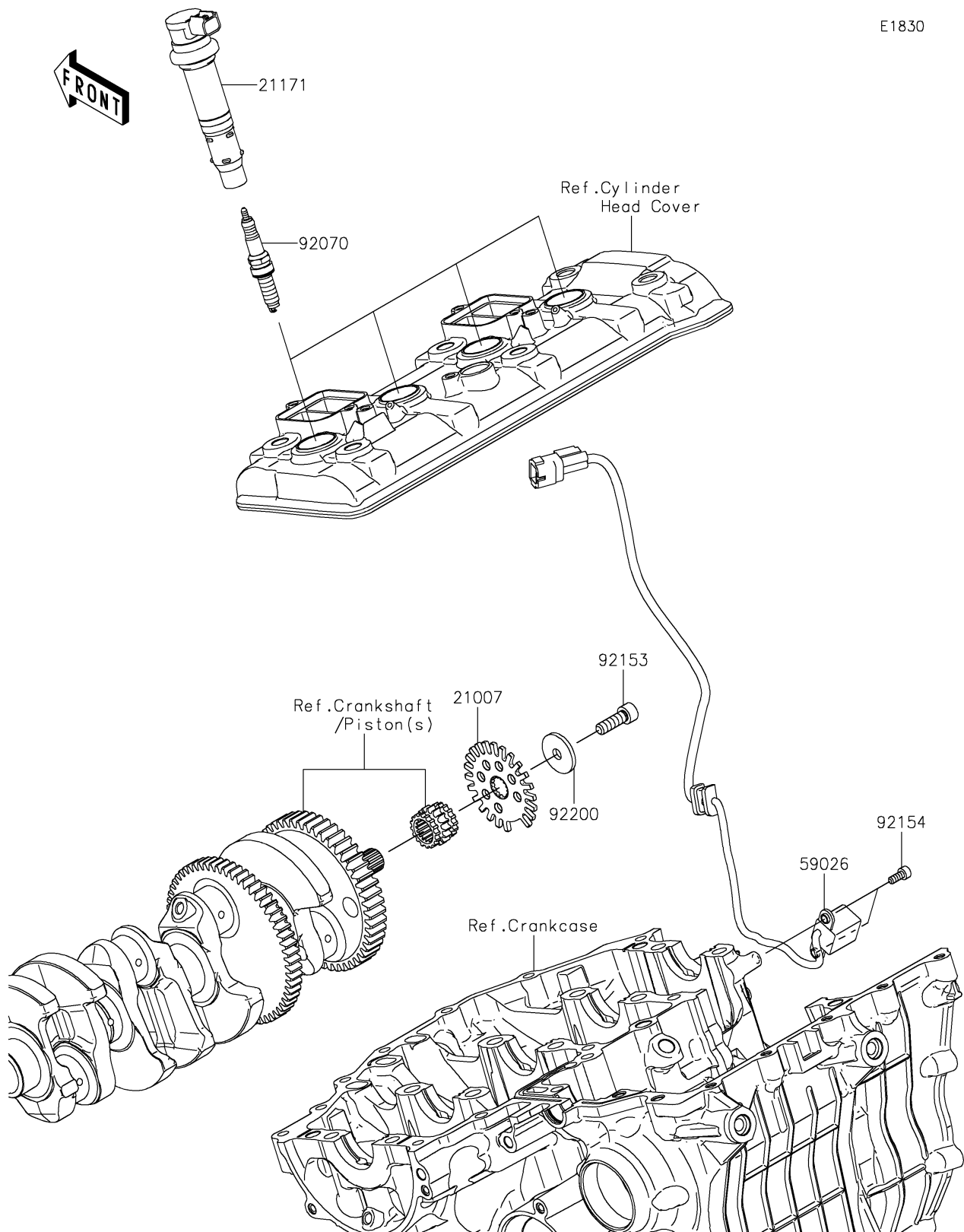


# 2024 NINJA H2<sup>®</sup> CARBON ABS

## PARTS DIAGRAM

### Ignition System

E1830



# 2024 NINJA H2<sup>®</sup> CARBON ABS



## PARTS LIST

### Ignition System

ITEM NAME	PART NUMBER	QUANTITY
-----------	-------------	----------