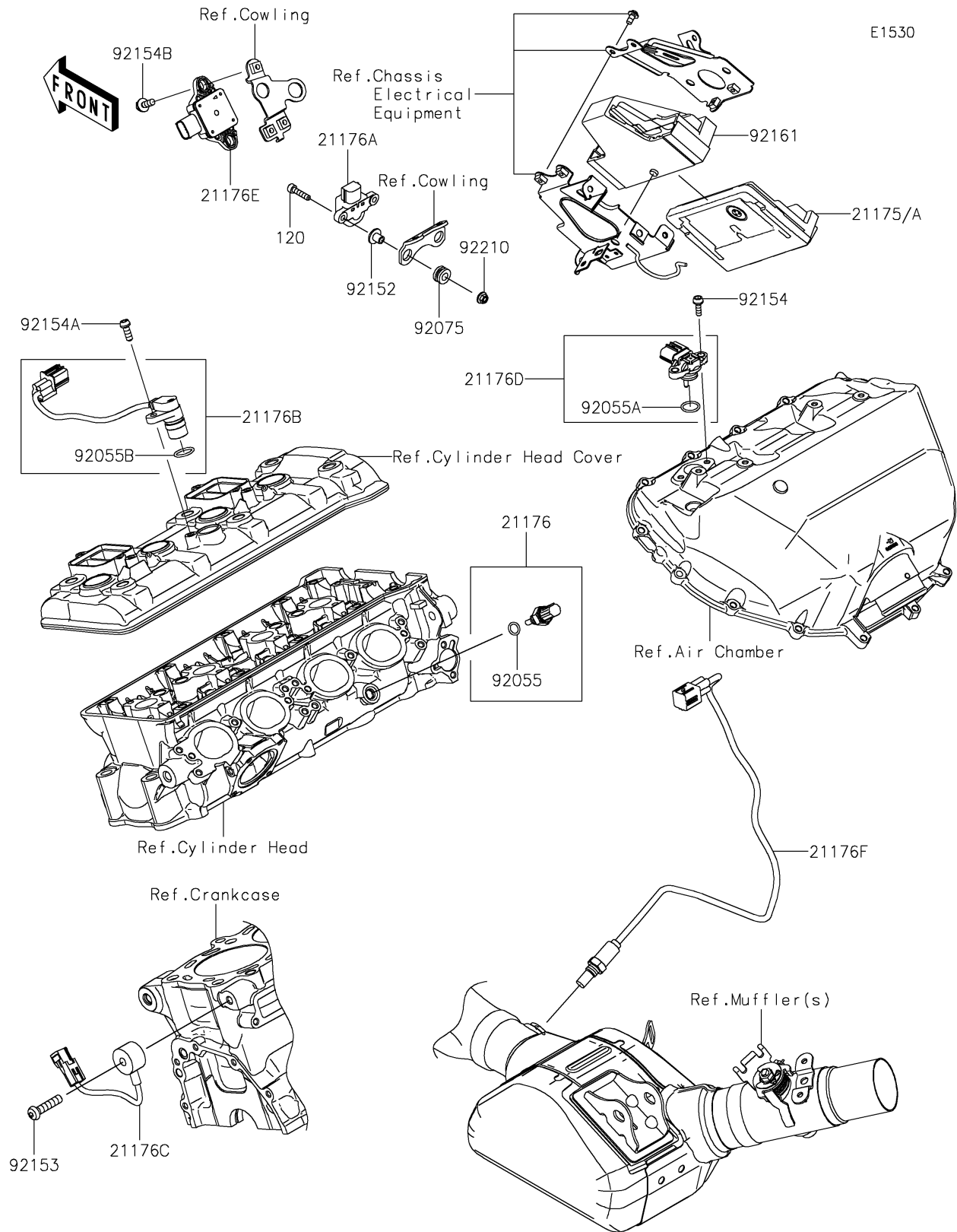


# 2024 Ninja H2

## PARTS DIAGRAM

### Fuel Injection



# 2024 Ninja H2

## PARTS LIST

### Fuel Injection



ITEM NAME	PART NUMBER	QUANTITY
-----------	-------------	----------

---