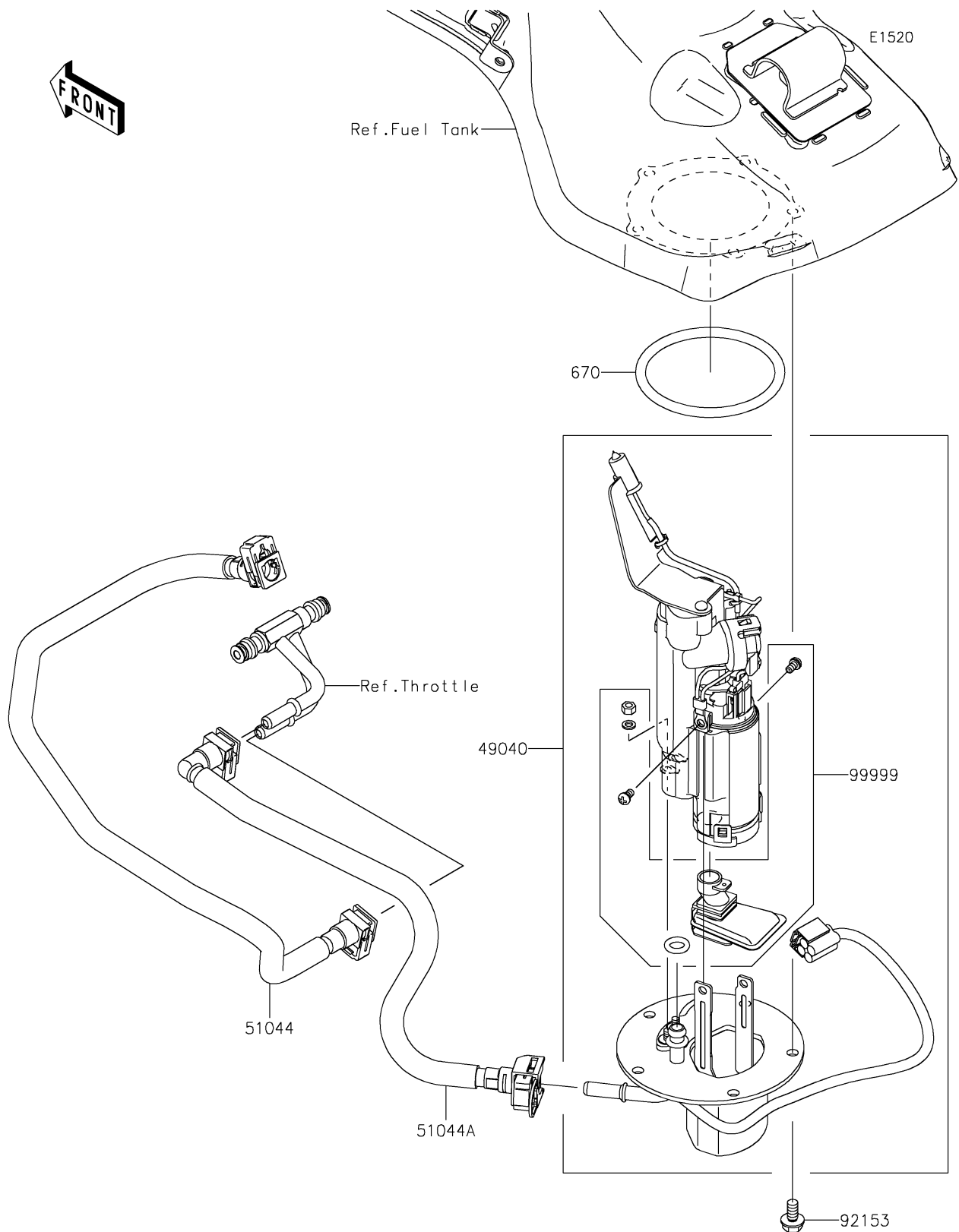


# 2024 Ninja H2

## PARTS DIAGRAM

### Fuel Pump



# 2024 Ninja H2

## PARTS LIST

### Fuel Pump



ITEM NAME	PART NUMBER	QUANTITY
-----------	-------------	----------

---