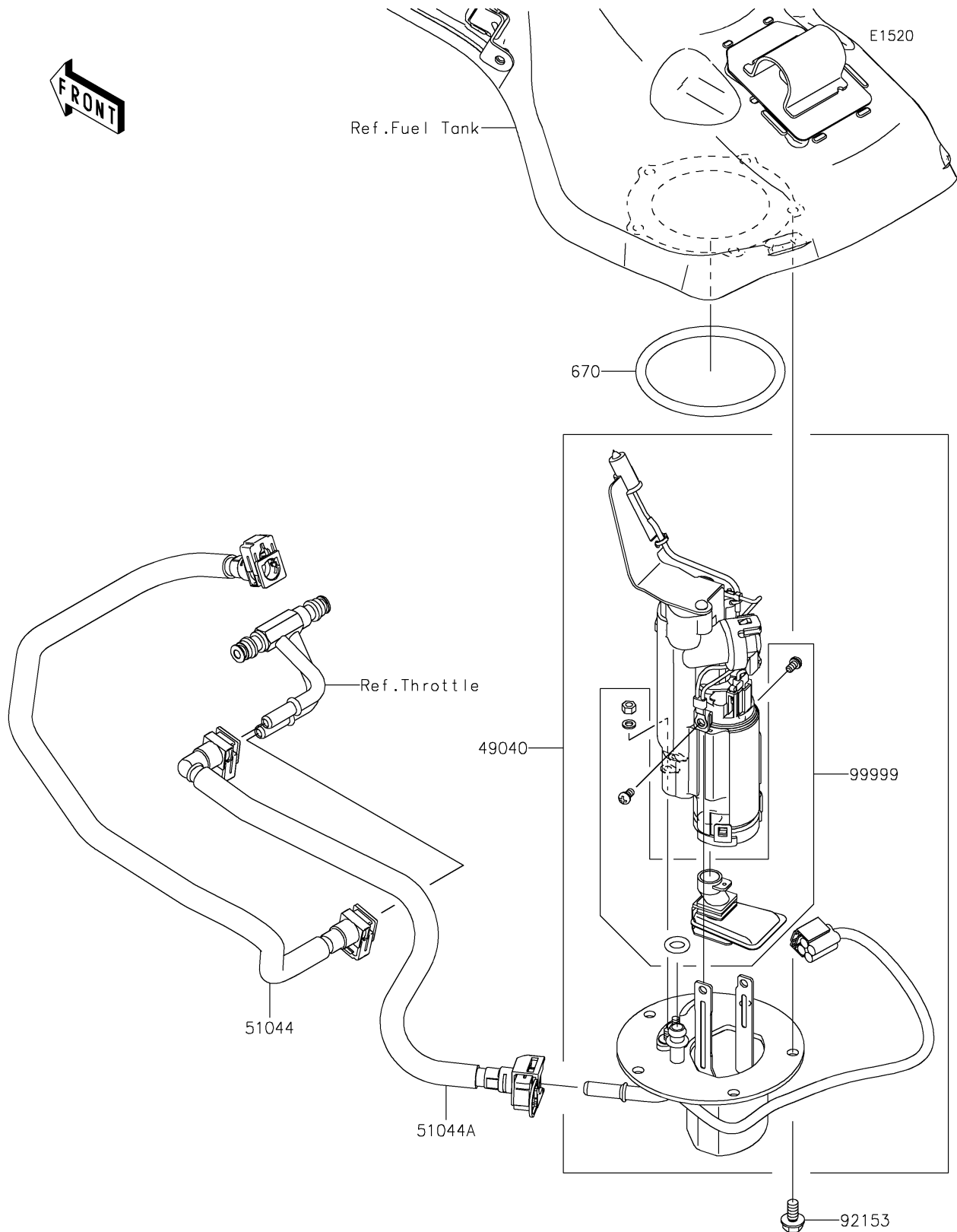


2024 NINJA H2[®] CARBON ABS

PARTS DIAGRAM

Fuel Pump



2024 NINJA H2[®] CARBON ABS

PARTS LIST

Fuel Pump

ITEM NAME	PART NUMBER	QUANTITY
-----------	-------------	----------
