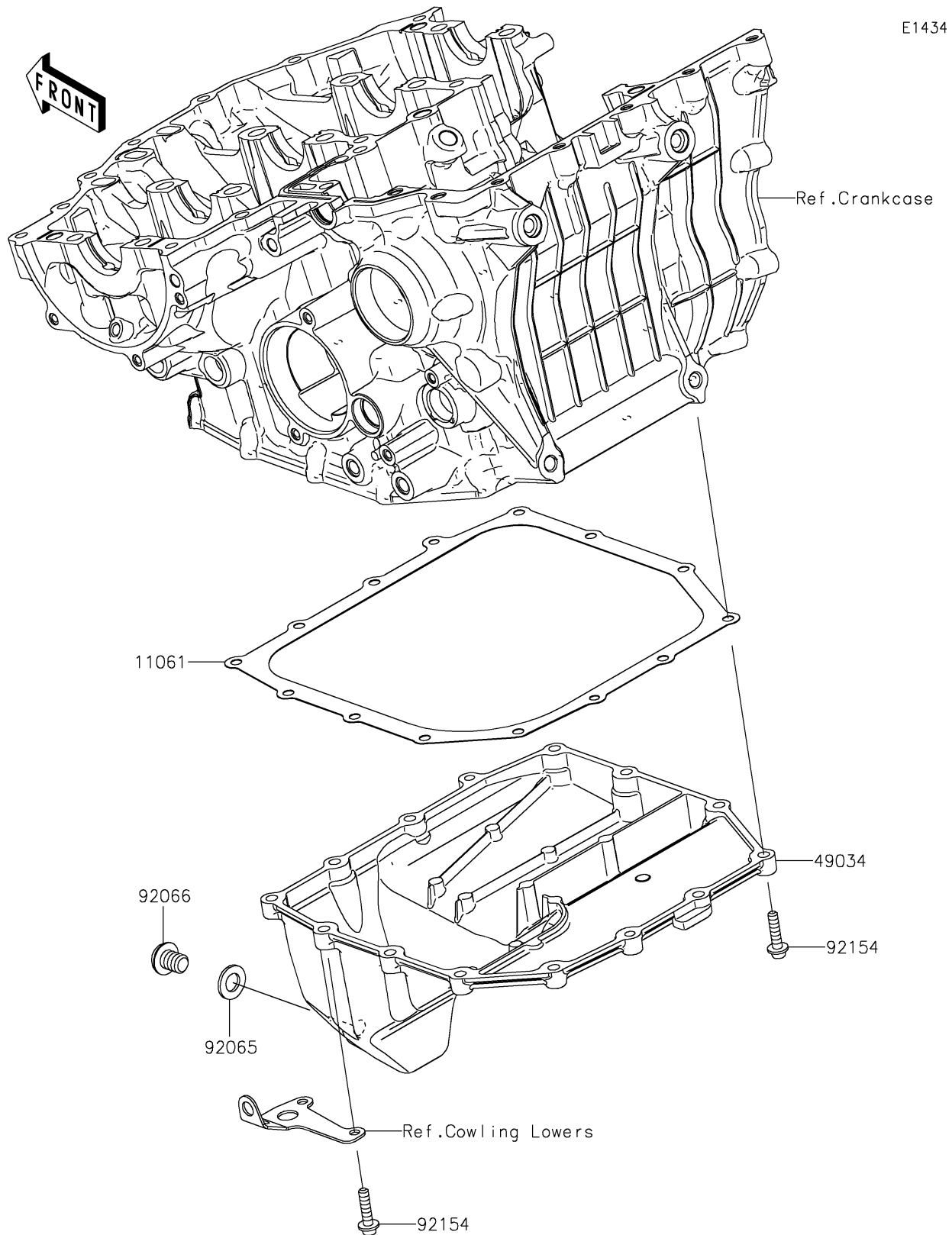


2025 NINJA H2[®] CARBON ABS

PARTS DIAGRAM

Oil Pan



2025 NINJA H2[®] CARBON ABS

PARTS LIST

Oil Pan

ITEM NAME	PART NUMBER	QUANTITY
-----------	-------------	----------
