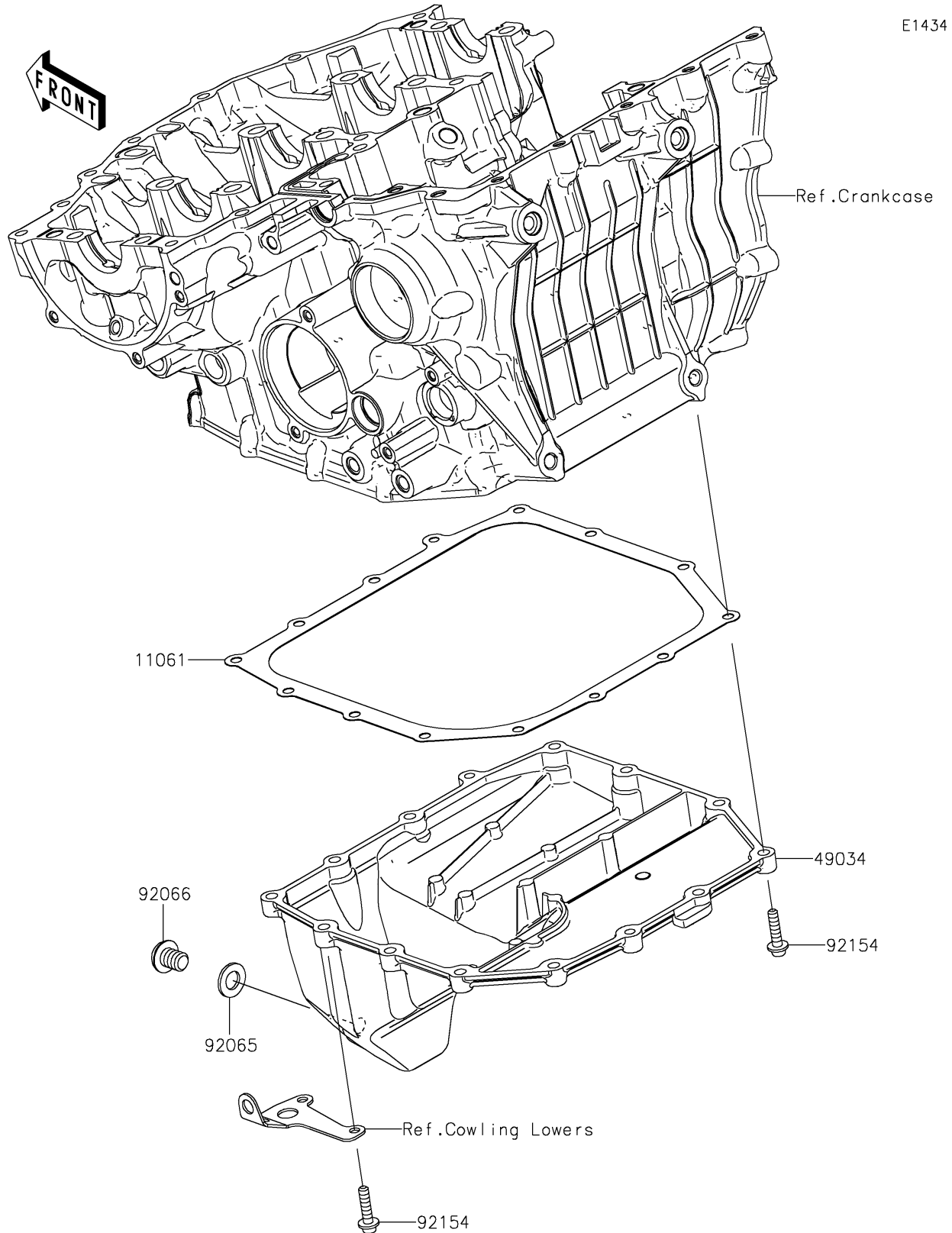


2024 NINJA H2[®] CARBON ABS

PARTS DIAGRAM

Oil Pan



2024 NINJA H2[®] CARBON ABS

PARTS LIST

Oil Pan

| ITEM NAME | PART NUMBER | QUANTITY |
|-----------|-------------|----------|
|-----------|-------------|----------|
