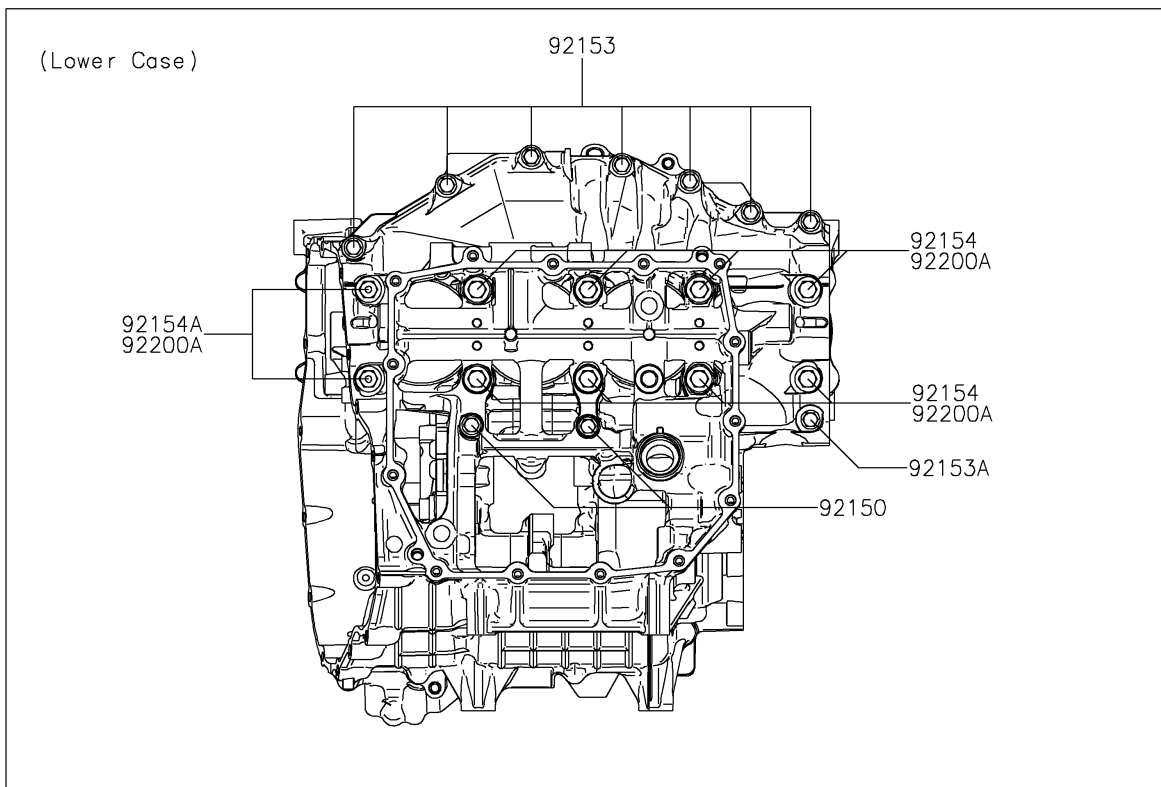
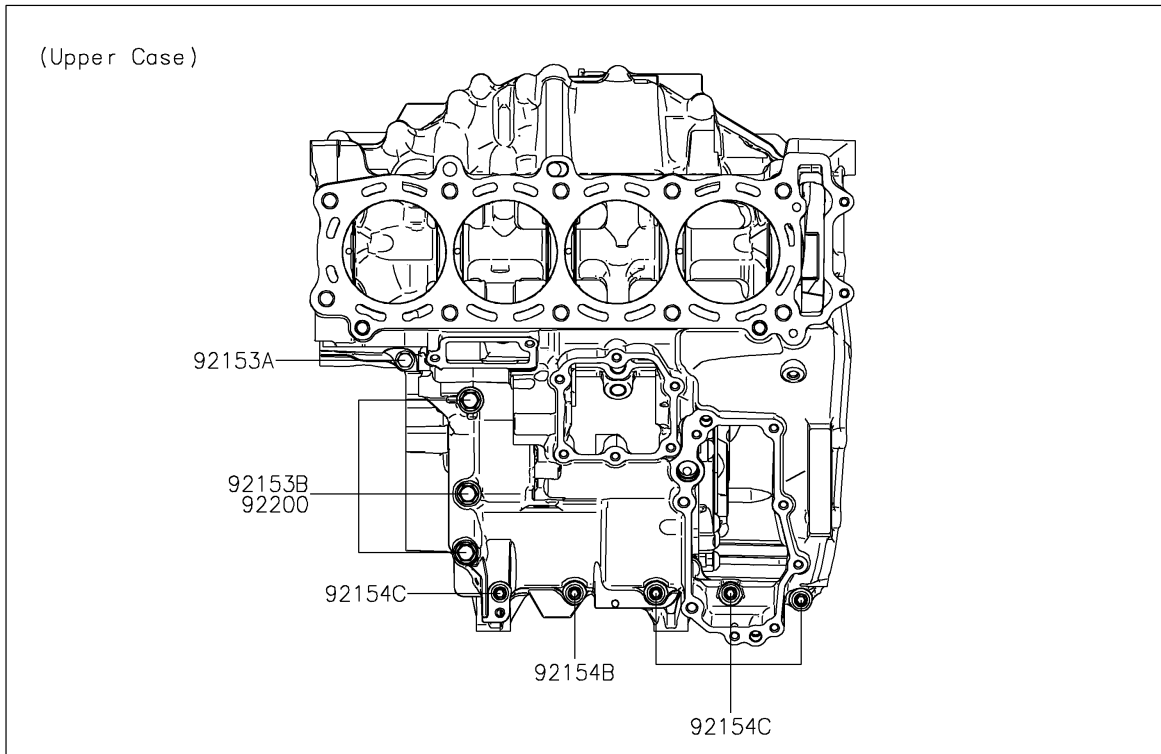


2025 NINJA H2[®] CARBON ABS

PARTS DIAGRAM

Crankcase Bolt Pattern

E1412



2025 NINJA H2[®] CARBON ABS

PARTS LIST

Crankcase Bolt Pattern

ITEM NAME	PART NUMBER	QUANTITY
-----------	-------------	----------
