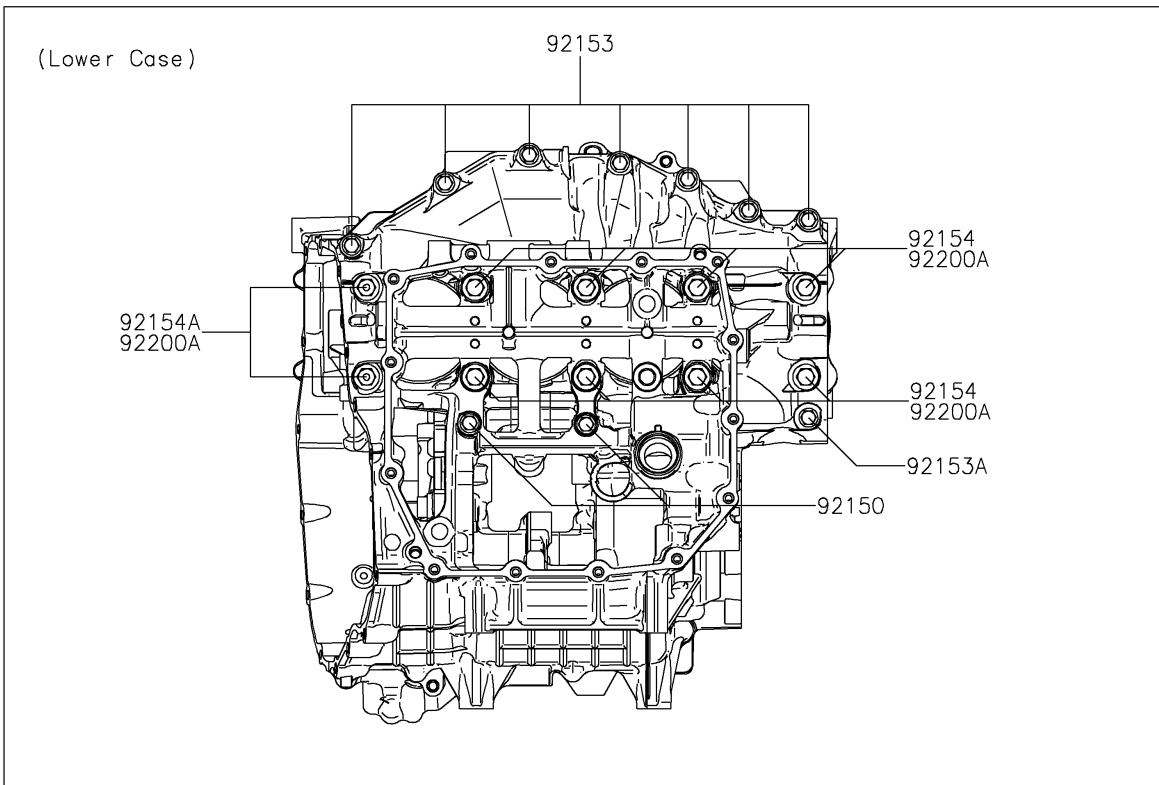
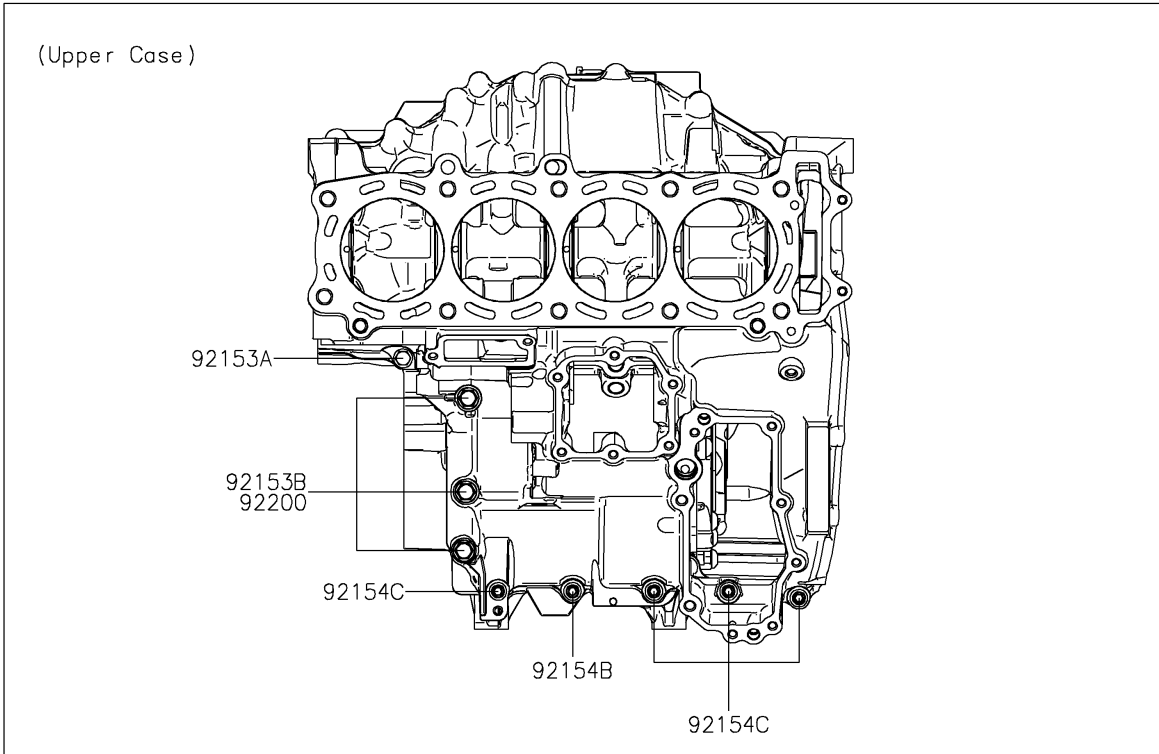


# 2024 NINJA H2<sup>®</sup> CARBON ABS

## PARTS DIAGRAM

### Crankcase Bolt Pattern

E1412



# 2024 NINJA H2<sup>®</sup> CARBON ABS

## PARTS LIST

### Crankcase Bolt Pattern

ITEM NAME	PART NUMBER	QUANTITY
-----------	-------------	----------

---