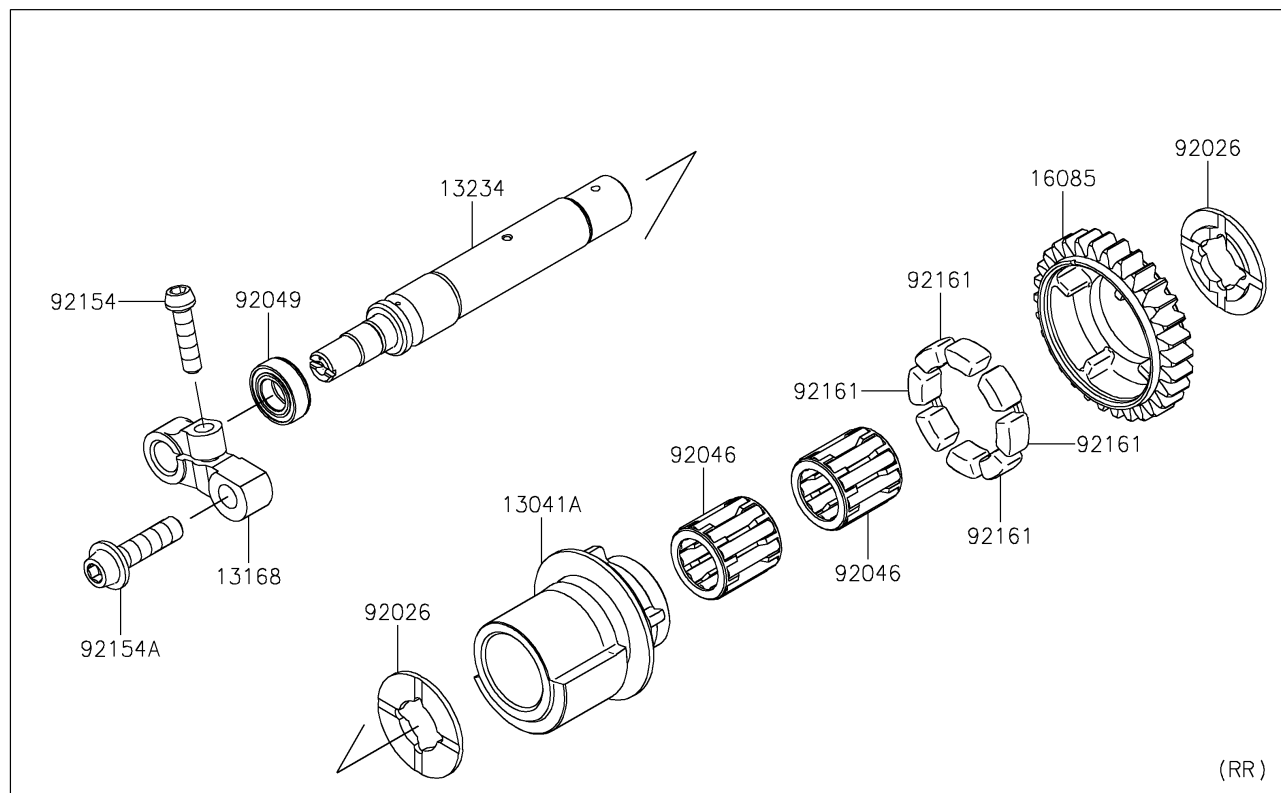
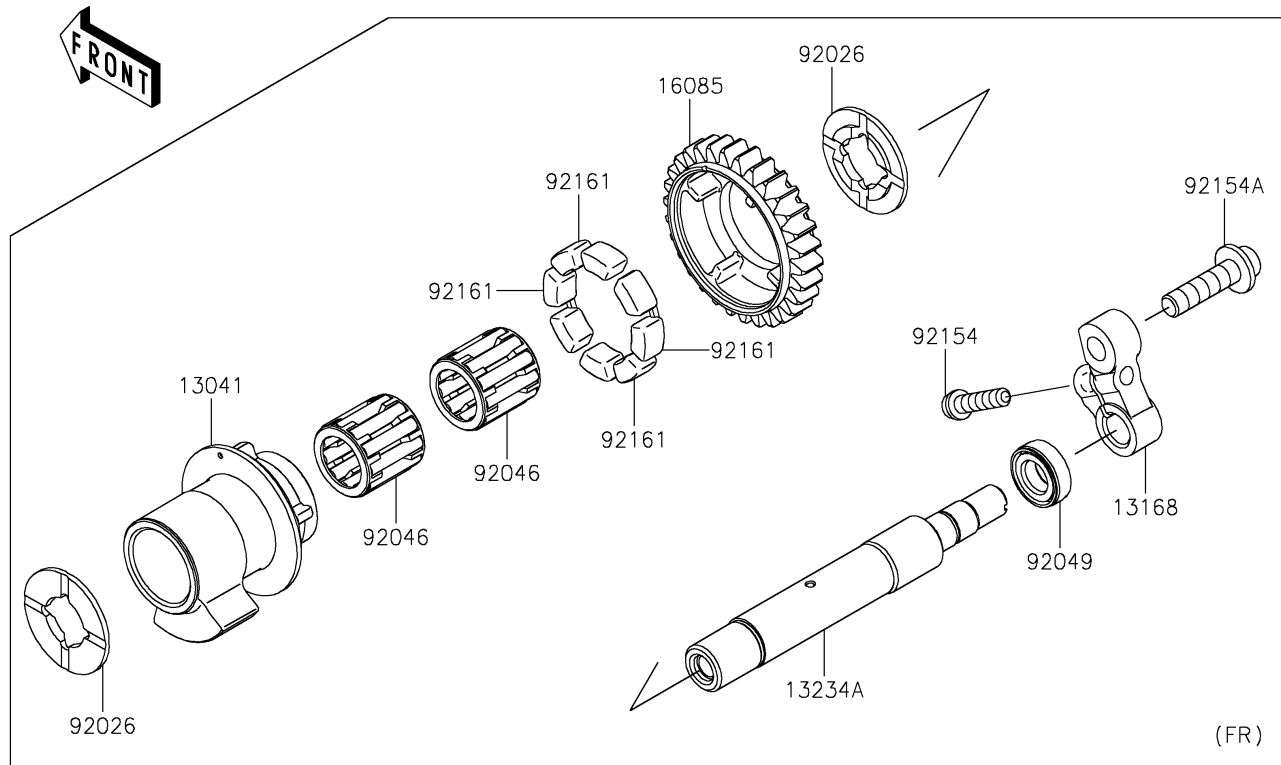


2025 NINJA H2[®] CARBON ABS

PARTS DIAGRAM

Balancer

E1323



2025 NINJA H2[®] CARBON ABS

PARTS LIST

Balancer

ITEM NAME	PART NUMBER	QUANTITY
-----------	-------------	----------
