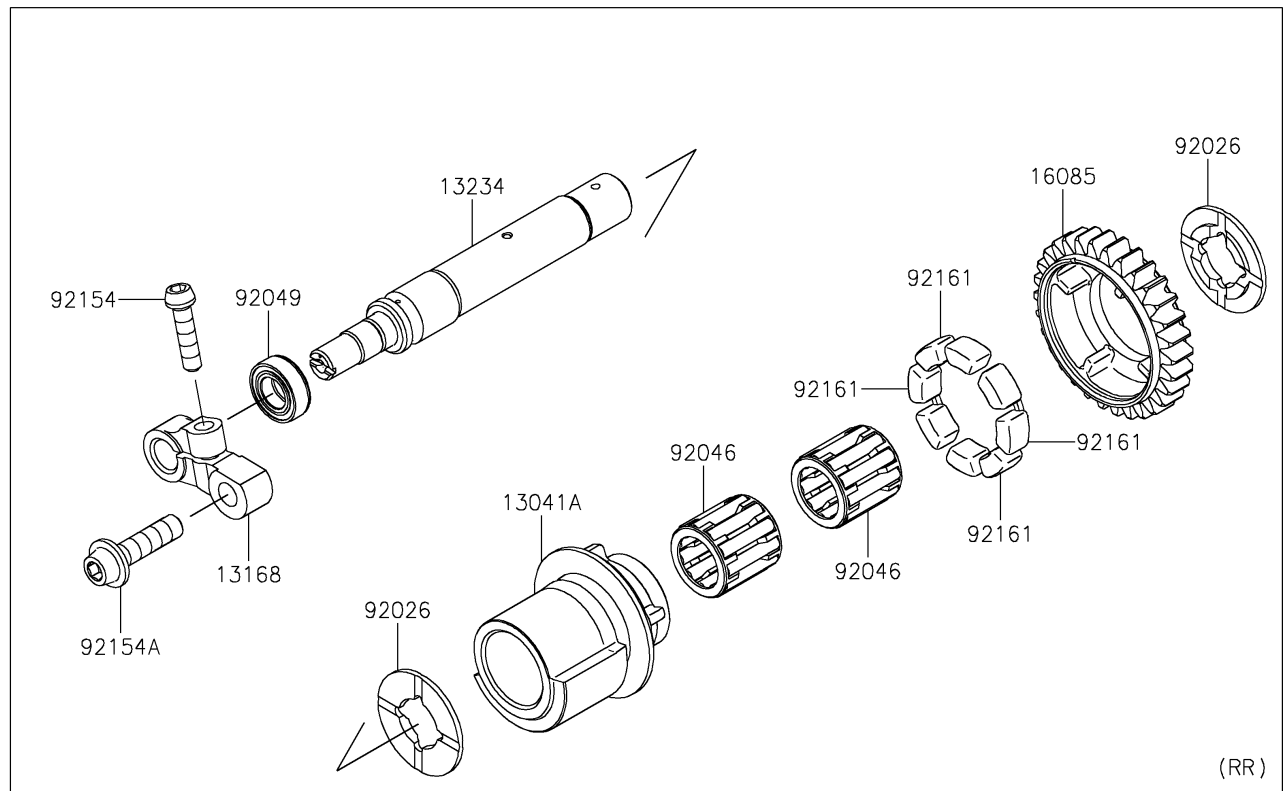
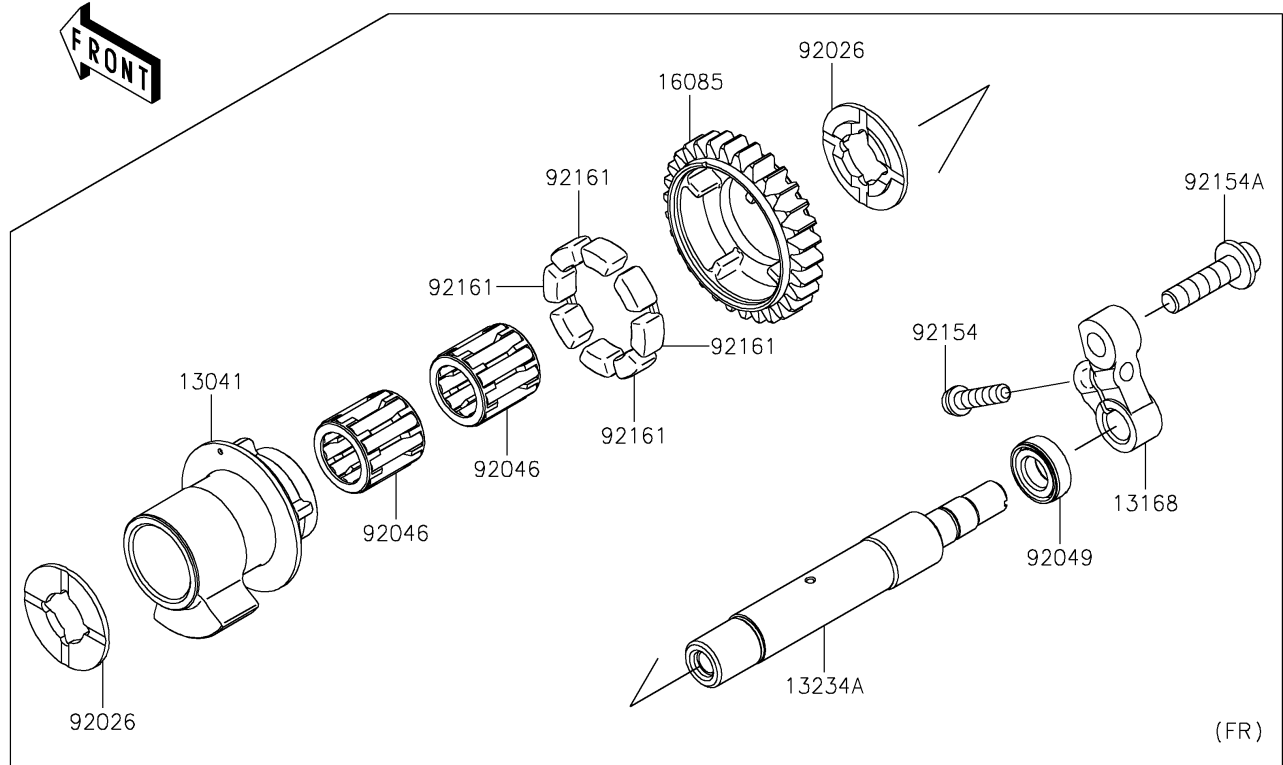


# 2024 Ninja H2

## PARTS DIAGRAM

### Balancer

E1323



# 2024 Ninja H2

## PARTS LIST

### Balancer



ITEM NAME	PART NUMBER	QUANTITY
-----------	-------------	----------

---