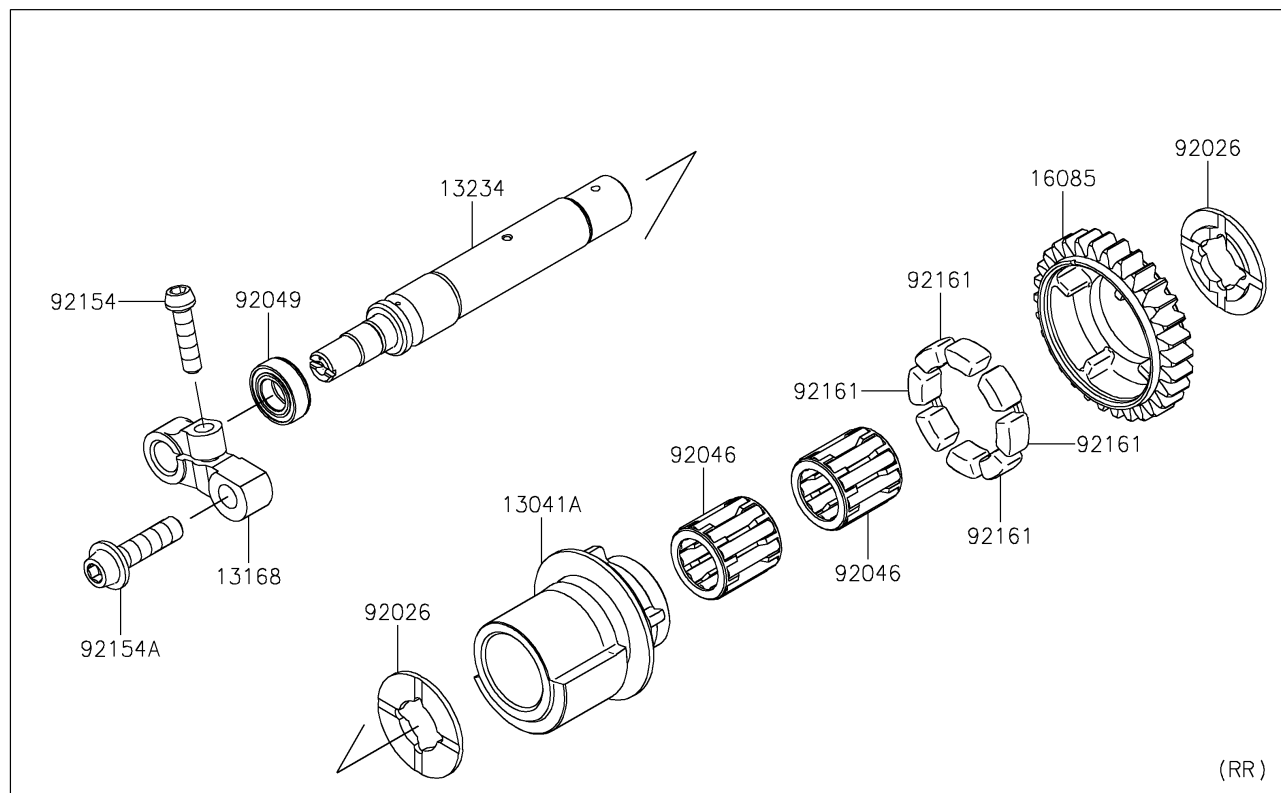
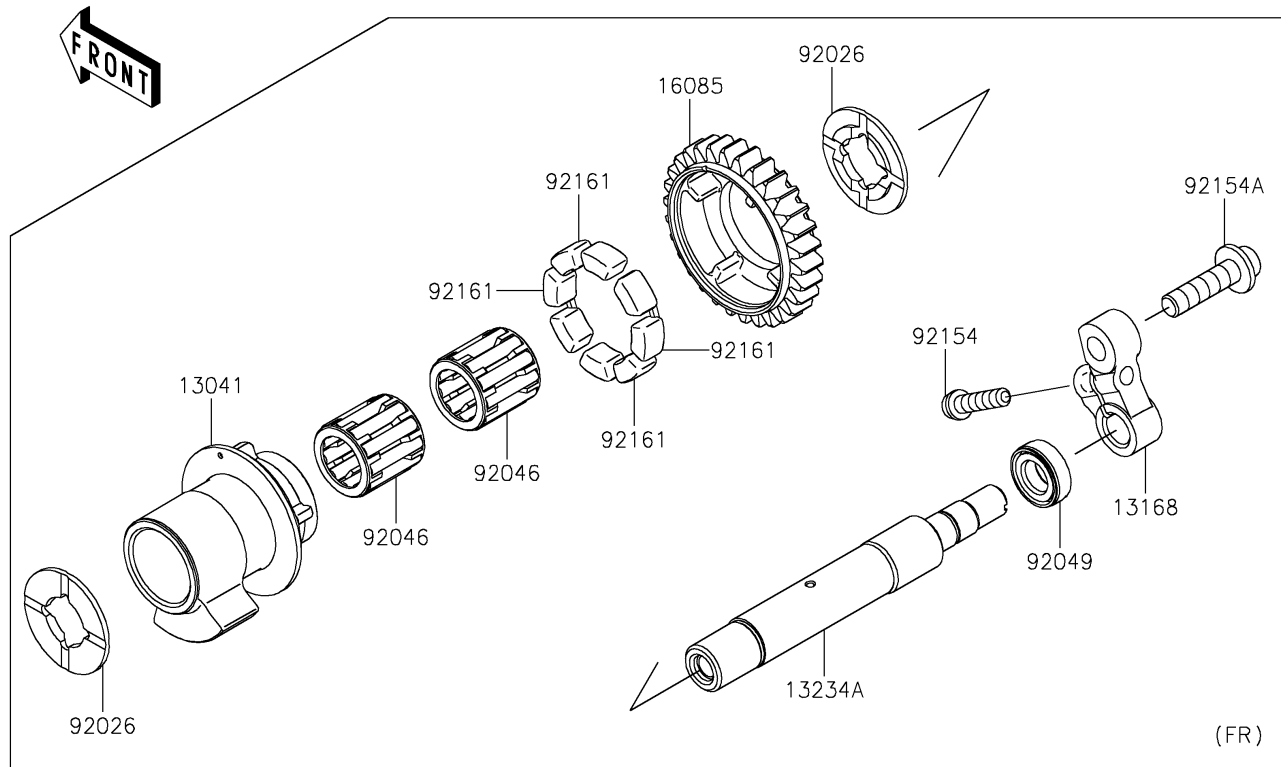


# 2024 NINJA H2<sup>®</sup> CARBON ABS

## PARTS DIAGRAM

### Balancer

E1323



# 2024 NINJA H2<sup>®</sup> CARBON ABS

## PARTS LIST

### Balancer

ITEM NAME	PART NUMBER	QUANTITY
-----------	-------------	----------

---