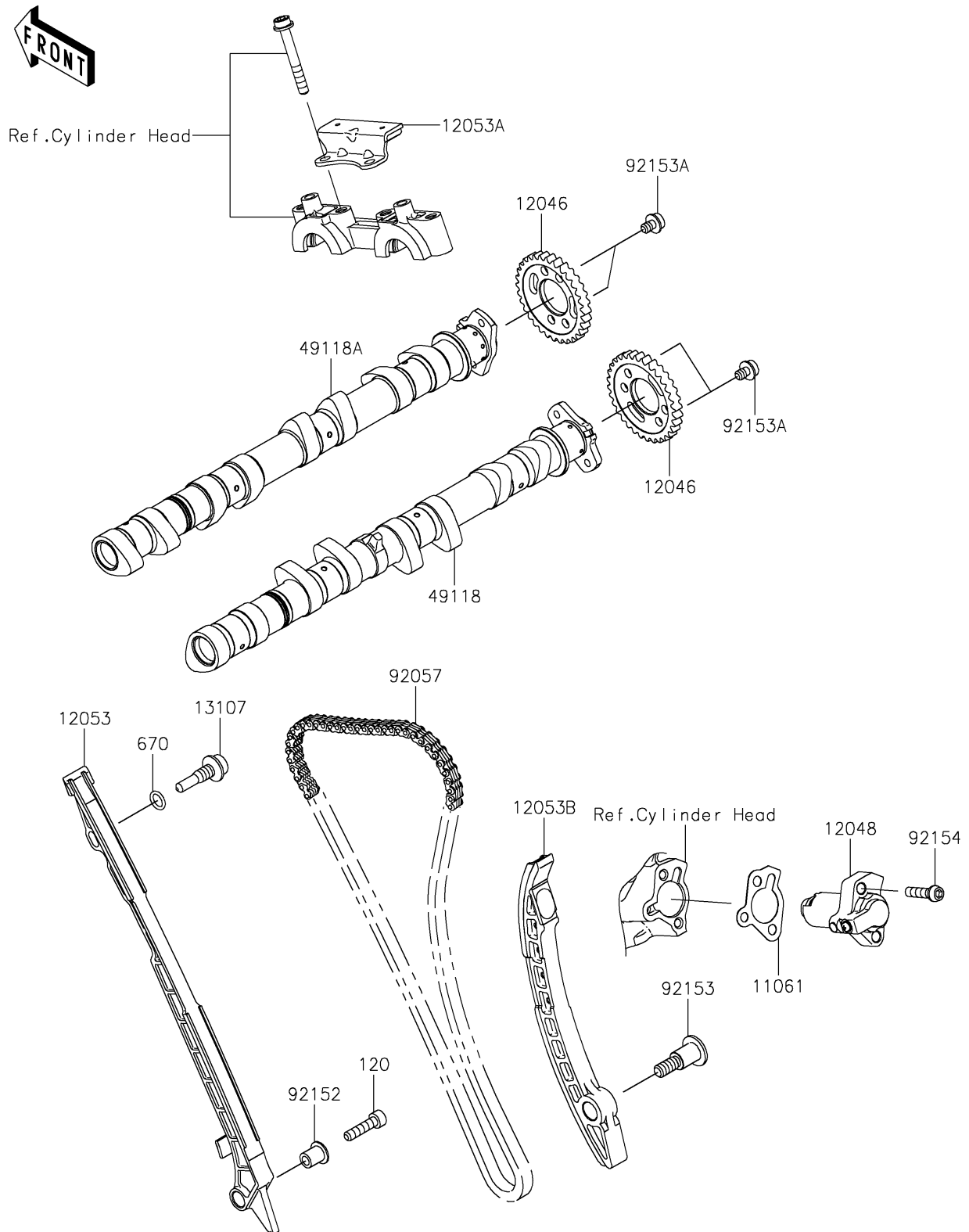


# 2025 NINJA H2<sup>®</sup> CARBON ABS

## PARTS DIAGRAM

### Camshaft(s)/Tensioner

E1230



# 2025 NINJA H2<sup>®</sup> CARBON ABS

## PARTS LIST

### Camshaft(s)/Tensioner

ITEM NAME	PART NUMBER	QUANTITY
-----------	-------------	----------

---