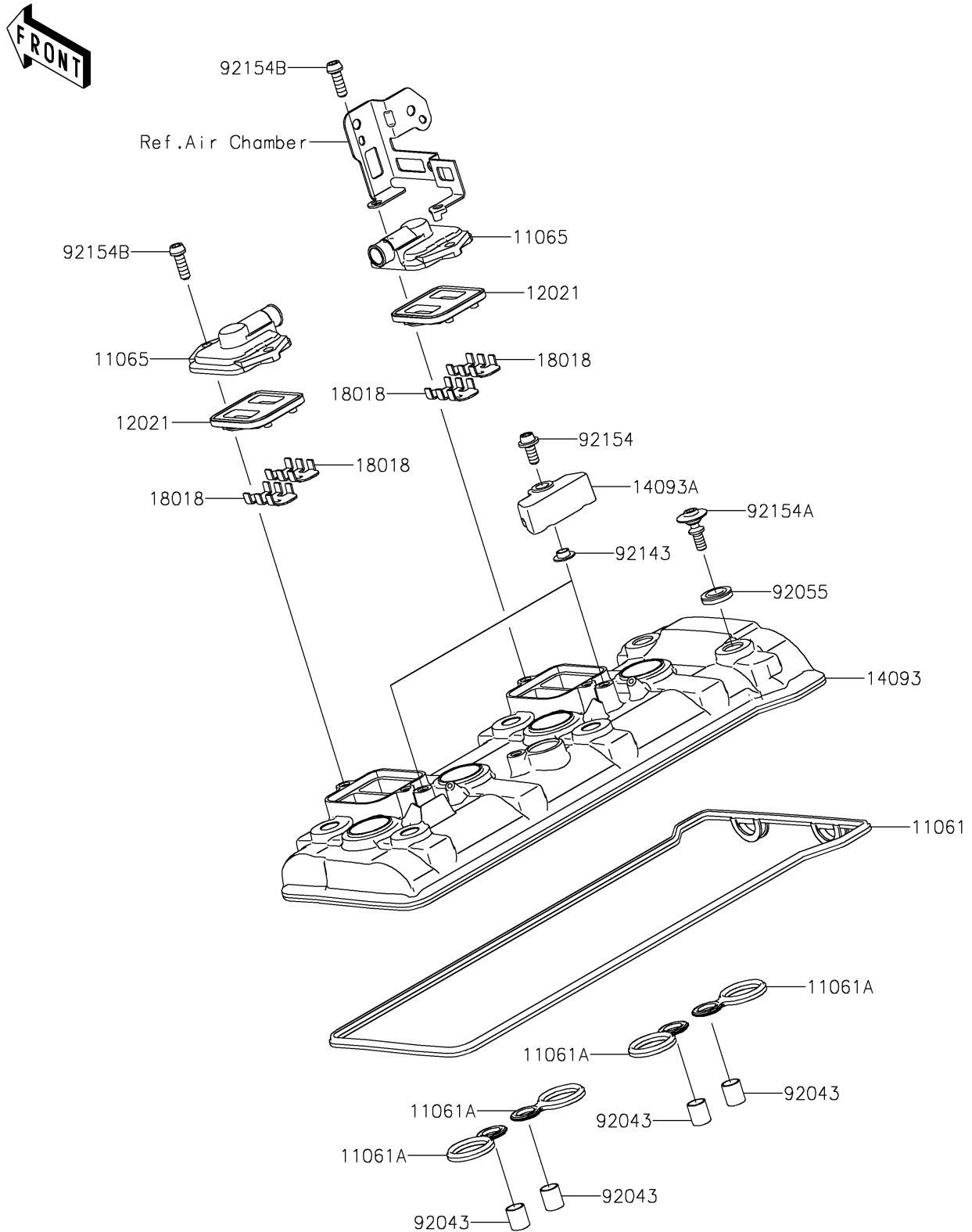


# 2025 NINJA H2<sup>®</sup> CARBON ABS

## PARTS DIAGRAM Cylinder Head Cover

E1112



# 2025 NINJA H2<sup>®</sup> CARBON ABS

## PARTS LIST

### Cylinder Head Cover

ITEM NAME	PART NUMBER	QUANTITY
-----------	-------------	----------

---