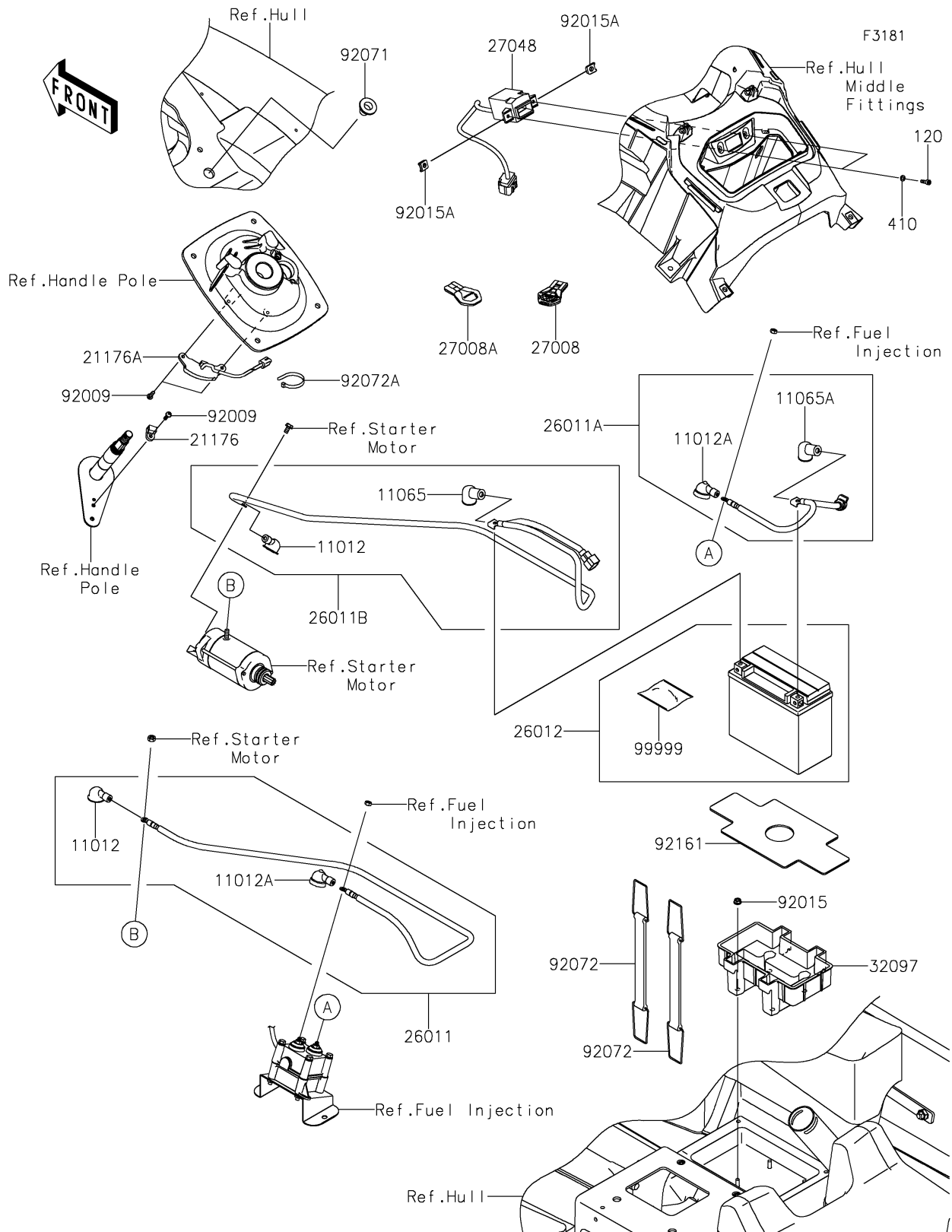


2024 JET SKI® STX® 160X

PARTS DIAGRAM Electrical Equipment



2024 JET SKI® STX® 160X

PARTS LIST

Electrical Equipment



ITEM NAME	PART NUMBER	QUANTITY
-----------	-------------	----------
