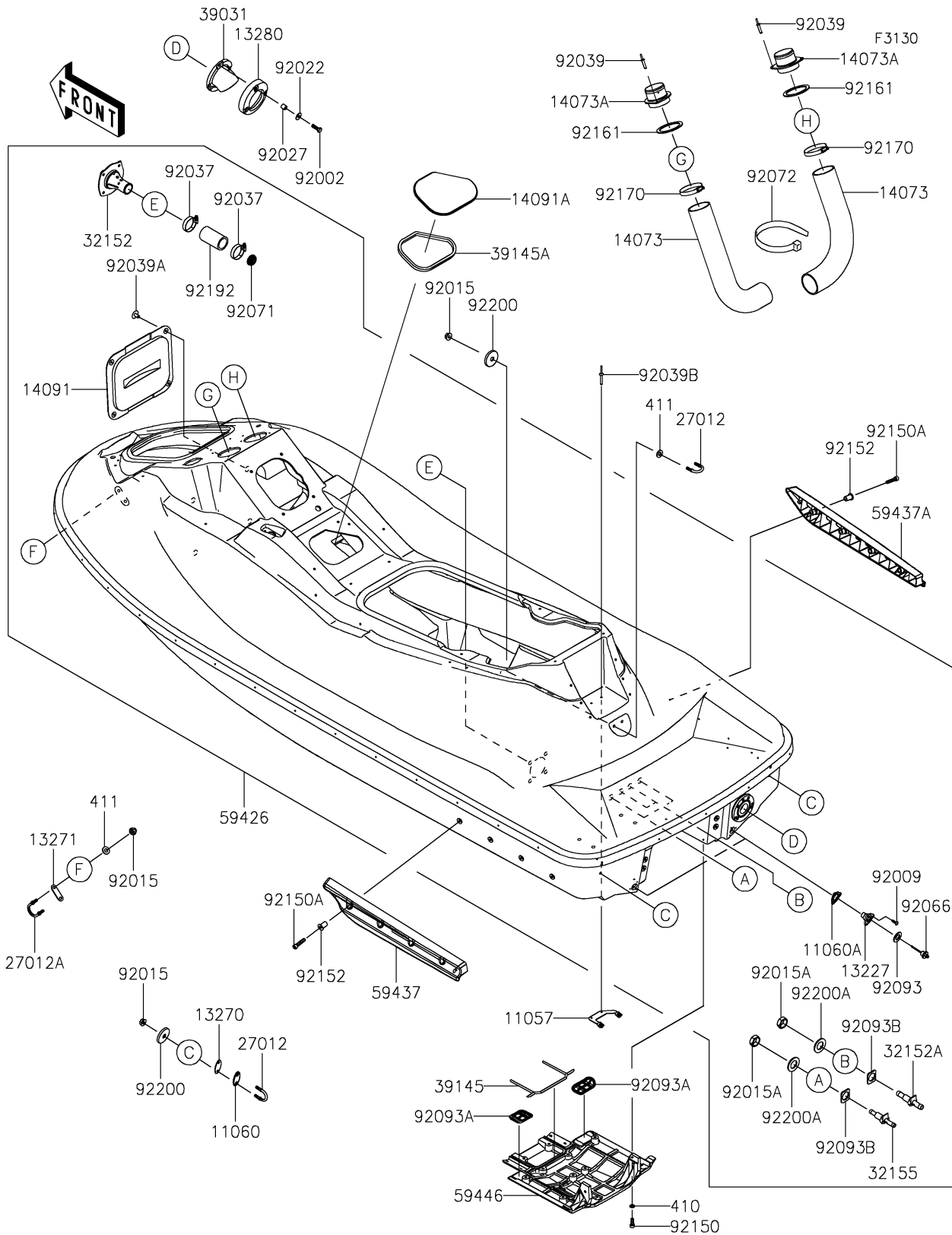


# 2024 JET SKI® STX® 160X

## PARTS DIAGRAM

### Hull



# 2024 JET SKI® STX® 160X

## PARTS LIST

Hull

**ITEM NAME**

**PART NUMBER**

**QUANTITY**

---