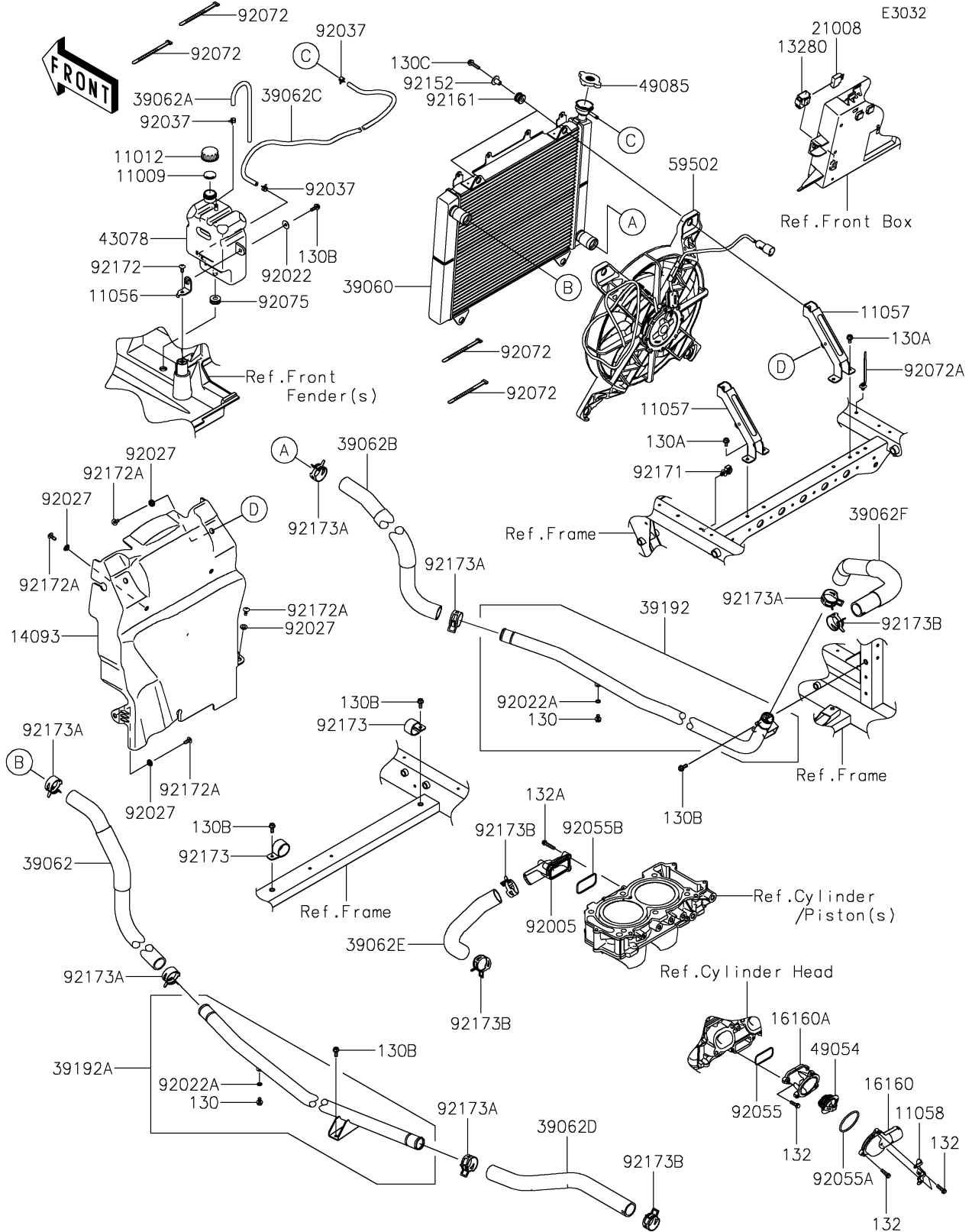


2025 MULE PRO-FXT 1000 LE Ranch Edition

PARTS DIAGRAM

Radiator



2025 MULE PRO-FXT 1000 LE Ranch Edition

PARTS LIST

Radiator

| ITEM NAME | PART NUMBER | QUANTITY |
|---|-------------|----------|
| GASKET,RESERVOIR TANK CAP (Ref # 11009) | 11009-1145 | 1 |
| CAP (Ref # 11012) | 11012-1084 | 1 |
| BRACKET,RESERVOIR (Ref # 11056) | 11056-3856 | 1 |
| BRACKET,RADIATOR (Ref # 11057) | 11057-0774 | 2 |
| BRACKET (Ref # 11058) | 11058-0325 | 1 |
| HOLDER,BREAKER (Ref # 13280) | 13280-0898 | 1 |
| COVER,RADIATOR BACK (Ref # 14093) | 14093-1391 | 1 |
| BODY,THERMOSTAT COVER (Ref # 16160) | 16160-0839 | 1 |
| BODY,THERMOSTAT (Ref # 16160A) | 16160-0840 | 1 |
| BREAKER,RAD.FAN,20A (Ref # 21008) | 21008-0015 | 1 |
| RADIATOR (Ref # 39060) | 39060-0753 | 1 |
| HOSE-COOLING,RADIATOR IN (Ref # 39062) | 39062-0650 | 1 |
| HOSE-COOLING,OVER FLOW (Ref # 39062A) | 39062-0696 | 1 |
| HOSE-COOLING,RADIATOR OUT (Ref # 39062B) | 39062-0777 | 1 |
| HOSE-COOLING,RAD-RESERVOIR (Ref # 39062C) | 39062-0985 | 1 |
| HOSE-COOLING,ENGINE IN (Ref # 39062D) | 39062-0986 | 1 |
| HOSE-COOLING,W/PUMP-ENGINE (Ref # 39062E) | 39062-0987 | 1 |
| HOSE-COOLING,ENGINE OUT (Ref # 39062F) | 39062-0988 | 1 |
| PIPE-WATER,RH (Ref # 39192) | 39192-0574 | 1 |
| PIPE-WATER,LH (Ref # 39192A) | 39192-0715 | 1 |
| RESERVOIR (Ref # 43078) | 43078-0571 | 1 |
| THERMOSTAT (Ref # 49054) | 49054-0015 | 1 |
| CAP-ASSY-PRESSURE (Ref # 49085) | 49085-0019 | 1 |
| FAN-ASSY (Ref # 59502) | 59502-0641 | 1 |
| FITTING (Ref # 92005) | 92005-1445 | 1 |
| WASHER,PLAIN,6.5X20X1 (Ref # 92022) | 92022-165 | 1 |
| WASHER,6.2X11X1 (Ref # 92022A) | 92022-304 | 2 |
| COLLAR,L=4.6 (Ref # 92027) | 92027-1168 | 6 |
| CLAMP,TUBE (Ref # 92037) | 92037-1461 | 3 |

2025 MULE PRO-FXT 1000 LE Ranch Edition

PARTS LIST

Radiator

| ITEM NAME | PART NUMBER | QUANTITY |
|---------------------------------------|-------------|----------|
| RING-O,YP 27.6 57.6 1.9 (Ref # 92055) | 92055-0021 | 1 |
| RING-O,53.5X2.6 (Ref # 92055A) | 92055-0831 | 1 |
| RING-O,FITTING (Ref # 92055B) | 92055-0923 | 1 |
| BAND,L=123 (Ref # 92072) | 92072-030 | 4 |
| BAND,OS170-FT7(BLACK) (Ref # 92072A) | 92072-1414 | 1 |
| DAMPER (Ref # 92075) | 92075-1185 | 1 |
| COLLAR (Ref # 92152) | 92152-2844 | 4 |
| DAMPER (Ref # 92161) | 92161-2436 | 4 |
| CLAMP (Ref # 92171) | 92171-0453 | 1 |
| SCREW,6X16 (Ref # 92172) | 92172-0284 | 1 |
| SCREW,TAPPING,6X16 (Ref # 92172A) | 92172-0739 | 6 |
| CLAMP (Ref # 92173) | 92173-1204 | 2 |
| CLAMP,28.6MM (Ref # 92173A) | 92173-1205 | 6 |
| CLAMP,33.4MM (Ref # 92173B) | 92173-1981 | 4 |
| BOLT-FLANGED,6X10 (Ref # 130) | 130BA0610 | 2 |
| BOLT-FLANGED,6X12 (Ref # 130A) | 130BA0612 | 4 |
| BOLT-FLANGED,6X16 (Ref # 130B) | 130BA0616 | 5 |
| BOLT-FLANGED,6X25 (Ref # 130C) | 130BA0625 | 4 |
| BOLT-FLANGED-SMALL,6X20 (Ref # 132) | 132BA0620 | 5 |
| BOLT-FLANGED-SMALL,6X30 (Ref # 132A) | 132BA0630 | 3 |